



**Version 2.7
English**

ASC Group
Leerlooierstraat 32
4871 EN Etten-Leur
Nederland

Tel: +31 (0) 76 - 541 30 19
Fax: +31 (0) 76 - 549 31 19
K.v.K. Breda nr.: 20083685

BTW nr: NL8159 29 833 B01
IBAN nr: NL63 RABO 0142 5160 74

Table of content

Mobile Towers	List of components mobile tower 135 AGS two-sided	4
	List of components mobile tower 135 AGS two-sided	5
	List of components mobile tower 135 AGS one-sided	6
	List of components mobile tower 135 AGS one-sided	7
	List of components- ASC Mobile Tower 75 two-sided	8
	List of components- ASC Mobile Tower 75 one-sided	9
	ASC Scaffold with braces 135 - List of components	10
	ASC Scaffold with braces 135 - List of components	11
	ASC Scaffold with braces 75 - List of components	12
	ASC Scaffold with braces75 - List of components	13
	ASC Scaffold - Parts frames	14
	Scaffold XXL / Easy-Clic - parts	15
	Platforms	16
	ASC AGS Guardrail Frames	17
Braces	18	
Mobile Tower accessories	19	
Set of Toeboards	20	
Loose parts / Solar Scaffold system / Roof console	21	
Folding Towers	List of components A-line Folding Tower	22
	Spareparts A-line Folding Tower	23
	List of components Folding Tower Euro	24
	Xs-Tower	25
Various Scaffolding	ASC Stairway Tower - List of components	26
	ASC Stairway Tower - Onderdelen	27
	ASC Facade Scaffold	28
	Renovation Scaffold	29
	Staircase Scaffold	30
Mobile Towers Accessories	Trailers for mobile towers	31
	Shelters	32
	Roof Scaffold	33
	ASC Layco / Cust made	34
	Carbon Mobile Tower	35
ASC Various Products	ASC Stages	36
	Roof Edge Protection	37
	Aluminium Workplatform	38
	X-Lift / XS-Lift	39
	Triangle Bridge	40
	Products for plasterer / folding scaffold XXL 250	41
Stepladders/ Ladders	ASC Stepladders	42
	ASC Premium ladders	43
	ASC Pro-Line DT Trappen	44
	ASC XD Ladders \ ASC Premium ladders	45
	VGS Ladders wide	46
	VGS Ladders Straight	47

Various Ladder products

VGS Stepladders	48
Fiber Stepladders	49
Telesteps	50
Miscellaneous Stepladders	51
Industrial steps	52
Foldable Warehouse Stepladder	53
Ladder and Stepladder accessories	54
SafetyClick	55
PPE's	56

Various products

ASC Q-Clamps	57
HBI	58
Specials	60
Protection against climbing	61
Notes	62

STOCK INDEX*

Indicated with a 'S' in the price list

- A= Delivery from stock
- B= Delivery time approx. 1 week after order
- C= Delivery time approx. 3 weeks after order
- D= On request

** Delivery times stated are guidelines and may differ from reality
Purchase of larger numbers always on request / in consultation*

Revisie:

- Version 2.7: Decrease of carbon platforms 01-05-2023
- Version 2.6: Pro-line Stepladders + Integral price increase 16,5% 01-05-2022
- Version 2.5: Changes EN 1004 + Integral price increase 8,5% 01-12-2021
- Version 2.4: Stock index + Integral price increase 10% 1-10-2021
- Version 2.3: Integral price increase 5% + price increase Trailers 7,5% 1-7-2021
- Version 2.2: Integral price increase 4,5% 1-5-2021
- Version 2.1: ASC Stepladders

Press this button at the bottom of the page to return to the table of contents.



Platform height in m	2,3	3,3	4,3	5,3	6,3
Working height in m	4,3	5,3	6,3	7,3	8,3
ASC Frame 135-28-7	2	4	4	6	6
ASC Frame 135-28-4	2		2		2
ASC Platform without trapdoor	1	1	1	1	1
ASC Platform with trapdoor	1	2	2	2	3
ASC Guardrail frame *	4	4	6	6	8
ASC Diagonal brace					
ASC Horizontal brace	2	2	2	2	2
Telestabilizer 200 cm		2	2	2	2
Telestabilizer 300 cm					
Set of toeboards comp. Wooden	1	1	1	1	1
Wheel + steel spindle 375 kg	4	4	4	4	4
Wheel + alu spindle DR Nylon 800 kg					
Locking clips	4	4	8	8	12

* AGS PRO

Price 190 cm wood	€ 4.471,04	€ 5.660,88	€ 7.007,79	€ 7.318,89	€ 9.061,31
Artikelnummer	8719998049480	8719998049541	8719998049602	8719998049664	8719998049725
Price 250 wood	€ 4.857,66	€ 6.125,29	€ 7.563,73	€ 7.874,84	€ 9.786,57
Artikelnummer	8719998049497	8719998049558	8719998049619	8719998049671	8719998049732
Price 305 wood	€ 5.249,07	€ 6.592,82	€ 8.153,32	€ 8.464,42	€ 10.574,33
Artikelnummer	8719998049503	8719998049565	8719998049626	8719998049688	8719998049749

Price 190 Carbon	€ 4.934,13	€ 6.348,12	€ 7.695,03	€ 8.006,13	€ 9.972,69
Artikelnummer	8719998049510	8719998049572	8719998049633	8719998049695	8719998049756
Price 250 Carbon	€ 5.357,76	€ 6.885,18	€ 8.323,62	€ 8.634,73	€ 10.806,26
Artikelnummer	8719998049527	8719998049589	8719998049640	8719998049701	8719998049763
Price 305 Carbon	€ 5.879,38	€ 7.526,35	€ 9.086,84	€ 9.397,95	€ 11.811,07
Artikelnummer	8719998049534	8719998049596	8719998049657	8719998049718	8719998049770

* AGS LIGHT

Price 190 cm wood	€ 4.228,38	€ 5.418,22	€ 6.643,80	€ 6.954,90	€ 8.575,99
Itemnumber	8719998046847	8719998046908	8719998046960	8719998047028	8719998047080
Price 250 wood	€ 4.498,12	€ 5.765,74	€ 7.024,42	€ 7.335,52	€ 9.067,48
Itemnumber	8719998046854	8719998046915	8719998046977	8719998047035	8719998047097
Price 305 wood	€ 4.844,00	€ 6.187,75	€ 7.545,71	€ 7.856,82	€ 9.764,20
Itemnumber	8719998046861	8719998046922	8719998046984	8719998047042	8719998047103

Price 190 Carbon	€ 4.691,47	€ 6.105,46	€ 7.331,04	€ 7.642,14	€ 9.487,37
Itemnumber	8719998046878	8719998046939	8719998046991	8719998047059	8719998047110
Price 250 Carbon	€ 4.998,21	€ 6.525,63	€ 7.784,31	€ 8.095,41	€ 10.087,17
Itemnumber	8719998046885	8719998046946	8719998047004	8719998047066	8719998047127
Price 305 Carbon	€ 5.474,31	€ 7.121,28	€ 8.479,24	€ 8.790,35	€ 11.000,94
Itemnumber	8719998046892	8719998046953	8719998047011	8719998047073	8719998047134

* AGS XS

Price 190 wood	€ 4.228,38	€ 5.418,22	€ 6.643,80	€ 6.954,90	€ 8.575,99
Itemnumber	AGSAX21	AGSAX31	AGSAX41	AGSAX51	AGSAX61
Price 250 wood	€ 4.498,12	€ 5.765,74	€ 7.024,42	€ 7.335,52	€ 9.067,48
Itemnumber	AGSAX22	AGSAX32	AGSAX42	AGSAX52	AGSAX62
Price 305 wood	€ 4.844,00	€ 6.187,75	€ 7.545,71	€ 7.856,82	€ 9.764,20
Itemnumber	AGSAX23	AGSAX33	AGSAX43	AGSAX53	AGSAX63

Price 190 Carbon	€ 4.691,47	€ 6.105,46	€ 7.331,04	€ 7.642,14	€ 9.487,37
Itemnumber	AGSACX21	AGSACX31	AGSACX41	AGSACX51	AGSACX61
Price 250 Carbon	€ 4.998,21	€ 6.525,63	€ 7.784,31	€ 8.095,41	€ 10.087,17
Itemnumber	AGSACX22	AGSACX32	AGSACX42	AGSACX52	AGSACX62
Price 305 Carbon	€ 5.474,31	€ 7.121,28	€ 8.479,24	€ 8.790,35	€ 11.000,94
Itemnumber	AGSACX23	AGSACX33	AGSACX43	AGSACX53	AGSACX63

Note: Always use two extra (tele) stabilizers for freestanding use.

Prices are excl. taxes, shipping and/or freight from ASC or your closest dealer with the required stock.
Price changes and printing errors reserved - Version: 2.7 - 01-05-2023

Platform height in m	7,3*	8,3*	9,3*	10,3*	11,3*	12,3*
Working height in m	9,3	10,3	11,3	12,3	13,3	14,3
ASC Frame 135-28-7	8	8	10	10	12	12
ASC Frame 135-28-4		2		2		2
ASC Platform without trapdoor	1	1	1	1	1	1
ASC Platform with trapdoor	3	4	4	5	5	6
ASC Guardrail frame *	8	10	10	12	12	14
ASC Diagonal brace						
ASC Horizontal brace	2	2	2	2	2	2
Telestabilizer 200 cm	2	2				
Telestabilizer 300 cm			2	2	2	2
Set of toeboards comp. Wooden	1	1	1	1	1	1
Wheel + steel spindle 375 kg	4	4	4			
Wheel + alu spindle DR Nylon 800 kg				4	4	4
Locking clips	12	16	16	20	20	24

* AGS PRO

Price 190 cm wood	€ 9.372,41	€ 11.114,83	€ 11.462,33	€ 13.496,18	€ 13.807,28	€ 15.549,70
Artikelnummer	8719998049787	8719998049848	8719998049909	8719998049961	8719998050028	8719998050080
Price 250 wood	€ 10.097,67	€ 12.009,40	€ 12.356,91	€ 14.560,07	€ 14.871,17	€ 16.782,90
Artikelnummer	8719998049794	8719998049855	8719998049916	8719998049978	8719998050035	8719998050097
Price 305 wood	€ 10.885,43	€ 12.995,35	€ 13.342,85	€ 15.744,20	€ 16.055,30	€ 18.165,21
Artikelnummer	8719998049800	8719998049862	8719998049923	8719998049985	8719998050042	8719998050103

Price 190 Carbon	€ 10.283,80	€ 12.250,36	€ 12.597,87	€ 14.855,86	€ 15.166,96	€ 17.133,53
Artikelnummer	8719998049817	8719998049879	8719998049930	8719998049992	8719998050059	8719998050110
Price 250 Carbon	€ 11.117,36	€ 13.288,89	€ 13.636,40	€ 16.099,36	€ 16.410,46	€ 18.581,99
Artikelnummer	8719998049824	8719998049886	8719998049947	8719998050004	8719998050066	8719998050127
Price 305 Carbon	€ 12.122,18	€ 14.535,30	€ 14.882,81	€ 17.587,36	€ 17.898,46	€ 20.311,59
Artikelnummer	8719998049831	8719998049893	8719998049954	8719998050011	8719998050073	8719998050134

* AGS LIGHT

Price 190 cm wood	€ 8.887,09	€ 10.508,18	€ 10.855,68	€ 12.768,20	€ 13.079,30	€ 14.700,38
Itemnumber	8719998047141	8719998047202	8719998047264	8719998047325	8719998047387	8719998047448
Price 250 wood	€ 9.378,58	€ 11.110,54	€ 11.458,05	€ 13.481,43	€ 13.792,54	€ 15.524,50
Itemnumber	8719998047158	8719998047219	8719998047271	8719998047332	8719998047394	8719998047455
Price 305 wood	€ 10.075,30	€ 11.982,68	€ 12.330,18	€ 14.528,99	€ 14.840,10	€ 16.747,48
Itemnumber	8719998047165	8719998047226	8719998047288	8719998047349	8719998047400	8719998047462

Price 190 Carbon	€ 9.798,48	€ 11.643,71	€ 11.991,22	€ 14.127,88	€ 14.438,98	€ 16.284,21
Itemnumber	8719998047172	8719998047233	8719998047295	8719998047356	8719998047417	8719998047479
Price 250 Carbon	€ 10.398,27	€ 12.390,03	€ 12.737,54	€ 15.020,72	€ 15.331,83	€ 17.323,59
Itemnumber	8719998047189	8719998047240	8719998047301	8719998047363	8719998047424	8719998047486
Price 305 Carbon	€ 11.312,04	€ 13.522,63	€ 13.870,14	€ 16.372,16	€ 16.683,26	€ 18.893,85
Itemnumber	8719998047196	8719998047257	8719998047318	8719998047370	8719998047431	8719998047493

* AGS XS

Price 190 wood	€ 8.887,09	€ 10.508,18	€ 10.855,68	€ 12.768,20	€ 13.079,30	€ 14.700,38
Itemnumber	AGSAX71	AGSAX81	AGSAX91	AGSAX101	AGSAX111	AGSAX121
Price 250 wood	€ 9.378,58	€ 11.110,54	€ 11.458,05	€ 13.481,43	€ 13.792,54	€ 15.524,50
Itemnumber	AGSAX72	AGSAX82	AGSAX92	AGSAX102	AGSAX112	AGSAX122
Price 305 wood	€ 10.075,30	€ 11.982,68	€ 12.330,18	€ 14.528,99	€ 14.840,10	€ 16.747,48
Itemnumber	AGSAX73	AGSAX83	AGSAX93	AGSAX103	AGSAX113	AGSAX123

Price 190 Carbon	€ 9.798,48	€ 11.643,71	€ 11.991,22	€ 14.127,88	€ 14.438,98	€ 16.284,21
Itemnumber	AGSACX71	AGSACX81	AGSACX91	AGSACX101	AGSACX111	AGSACX121
Price 250 Carbon	€ 10.398,27	€ 12.390,03	€ 12.737,54	€ 15.020,72	€ 15.331,83	€ 17.323,59
Itemnumber	AGSACX72	AGSACX82	AGSACX92	AGSACX102	AGSACX112	AGSACX122
Price 305 Carbon	€ 11.312,04	€ 13.522,63	€ 13.870,14	€ 16.372,16	€ 16.683,26	€ 18.893,85
Itemnumber	AGSACX73	AGSACX83	AGSACX93	AGSACX103	AGSACX113	AGSACX123

Note: Always use two extra (tele) stabilizers for freestanding use.

Platform height in m	2,3	3,3	4,3	5,3	6,3
Working height in m	4,3	5,3	6,3	7,3	8,3
ASC Frame 135-28-7	2	4	4	6	6
ASC Frame 135-28-4	2		2		2
ASC Platform without trapdoor					
ASC Platform with trapdoor	1	2	2	2	3
ASC Guardrail frame *	1	1	2	2	3
ASC Diagonal brace	4	4	6	6	8
ASC Horizontal brace	4	6	6	6	8
Telestabilizer 200 cm		2	2	2	2
Telestabilizer 300 cm					
Set of toeboards comp. Wooden	1	1	1	1	1
Wheel + steel spindle 375 kg	4	4	4	4	4
Wheel + alu spindle DR Nylon 800 kg					
Locking clips	4	4	8	8	12

AGS PRO *

Price 190 cm wood	€ 3.445,89	€ 4.807,00	€ 5.872,32	€ 6.183,43	€ 7.815,52
Artikelnummer	8719998048827	8719998048889	8719998048940	8719998049008	8719998049060
Price 250 wood	€ 3.638,99	€ 5.084,50	€ 6.202,22	€ 6.513,32	€ 8.282,22
Artikelnummer	8719998048834	8719998048896	8719998048957	8719998049015	8719998049077
Price 305 wood	€ 3.839,05	€ 5.364,01	€ 6.546,07	€ 6.857,17	€ 8.769,86
Artikelnummer	8719998048841	8719998048902	8719998048964	8719998049022	8719998049084

Price 190 Carbon	€ 3.670,04	€ 5.255,29	€ 6.320,62	€ 6.631,72	€ 8.487,97
Artikelnummer	8719998048858	8719998048919	8719998048971	8719998049039	8719998049091
Price 250 Carbon	€ 3.898,79	€ 5.604,10	€ 6.721,82	€ 7.032,92	€ 9.061,62
Artikelnummer	8719998048865	8719998048926	8719998048988	8719998049046	8719998049107
Price 305 Carbon	€ 4.142,26	€ 5.970,44	€ 7.152,50	€ 7.463,60	€ 9.679,50
Artikelnummer	8719998048872	8719998048933	8719998048995	8719998049053	8719998049114

AGS LIGHT *

Price 190 cm wood	€ 3.385,22	€ 4.746,33	€ 5.750,99	€ 6.062,10	€ 7.633,53
Itemnumber	8719998046182	8719998046212	8719998046243	8719998046274	8719998046304
Price 250 wood	€ 3.549,10	€ 4.994,62	€ 6.022,45	€ 6.333,55	€ 8.012,56
Itemnumber	8719998046199	8719998046229	8719998046250	8719998046281	8719998046311
Price 305 wood	€ 3.737,78	€ 5.262,75	€ 6.343,54	€ 6.654,64	€ 8.466,06
Itemnumber	8719998046205	8719998046236	8719998046267	8719998046298	8719998046328

Price 190 Carbon	€ 3.609,37	€ 5.194,63	€ 6.199,29	€ 6.510,39	€ 8.305,97
Itemnumber	8719998046519	8719998046540	8719998046571	8719998046601	8719998046632
Price 250 Carbon	€ 3.808,90	€ 5.514,22	€ 6.542,05	€ 6.853,15	€ 8.791,96
Itemnumber	8719998046526	8719998046557	8719998046588	8719998046618	8719998046649
Price 305 Carbon	€ 4.041,00	€ 5.869,17	€ 6.949,96	€ 7.261,07	€ 9.375,69
Itemnumber	8719998046533	8719998046564	8719998046595	8719998046625	8719998046656

AGS XS *

Price 190 wood	€ 3.385,22	€ 4.746,33	€ 5.750,99	€ 6.062,10	€ 7.633,53
Itemnumber	AGSAAX21	AGSAAX31	AGSAAX41	AGSAAX51	AGSAAX61
Price 250 wood	€ 3.549,10	€ 4.994,62	€ 6.022,45	€ 6.333,55	€ 8.012,56
Itemnumber	AGSAAX22	AGSAAX32	AGSAAX42	AGSAAX52	AGSAAX62
Price 305 wood	€ 3.737,78	€ 5.262,75	€ 6.343,54	€ 6.654,64	€ 8.466,06
Itemnumber	AGSAAX23	AGSAAX33	AGSAAX43	AGSAAX53	AGSAAX63

Price 190 Carbon	€ 3.609,37	€ 5.194,63	€ 6.199,29	€ 6.510,39	€ 8.305,97
Itemnumber	AGSAACX21	AGSAACX31	AGSAACX41	AGSAACX51	AGSAACX61
Price 250 Carbon	€ 3.808,90	€ 5.514,22	€ 6.542,05	€ 6.853,15	€ 8.791,96
Itemnumber	AGSAACX22	AGSAACX32	AGSAACX42	AGSAACX52	AGSAACX62
Price 305 Carbon	€ 4.041,00	€ 5.869,17	€ 6.949,96	€ 7.261,07	€ 9.375,69
Itemnumber	AGSAACX23	AGSAACX33	AGSAACX43	AGSAACX53	AGSAACX63

Pay attention! Customized composition and price for the mobile scaffold with AGS 135 scaffolding single-sided

Prices are excl. taxes, shipping and/or freight from ASC or your closest dealer with the required stock.

Price changes and printing errors reserved - Version: 2.7 - 01-05-2023

Platform height in m	7,3*	8,3*	9,3*	10,3*	11,3*	12,3*
Working height in m	9,3	10,3	11,3	12,3	13,3	14,3
ASC Frame 135-28-7	8	8	10	10	12	12
ASC Frame 135-28-4		2		2		2
ASC Platform without trapdoor						
ASC Platform with trapdoor	3	4	4	5	5	6
ASC Guardrail frame *	3	4	4	5	5	6
ASC Diagonal brace	8	10	10	12	12	14
ASC Horizontal brace	8	10	10	12	12	14
Telestabilizer 200 cm	2	2	2			
Telestabilizer 300 cm				2	2	2
Set of toeboards comp. Wooden	1	1	1	1	1	1
Wheel + steel spindle 375 kg	4	4	4			
Wheel + alu spindle DR Nylon 800 kg				4	4	4
Locking clips	12	16	16	20	20	24

AGS PRO *

Price 190 cm wood	€ 8.126,63	€ 9.758,73	€ 10.069,83	€ 12.029,76	€ 12.340,86	€ 13.972,96
Artikelnummer	8719998049121	8719998049183	8719998049244	8719998049305	8719998049367	8719998049428
Price 250 wood	€ 8.593,32	€ 10.362,22	€ 10.673,32	€ 12.770,05	€ 13.081,15	€ 14.850,05
Artikelnummer	8719998049138	8719998049190	8719998049251	8719998049312	8719998049374	8719998049435
Price 305 wood	€ 9.080,96	€ 10.993,64	€ 11.304,75	€ 13.545,26	€ 13.856,36	€ 15.769,05
Artikelnummer	8719998049145	8719998049206	8719998049268	8719998049329	8719998049381	8719998049442
Price 190 Carbon	€ 8.799,07	€ 10.655,32	€ 10.966,42	€ 13.150,50	€ 13.461,61	€ 15.317,85
Artikelnummer	8719998049152	8719998049213	8719998049275	8719998049336	8719998049398	8719998049459
Price 250 Carbon	€ 9.372,72	€ 11.401,42	€ 11.712,52	€ 14.069,04	€ 14.380,15	€ 16.408,84
Artikelnummer	8719998049169	8719998049220	8719998049282	8719998049343	8719998049404	8719998049466
Price 305 Carbon	€ 9.990,60	€ 12.206,49	€ 12.517,60	€ 15.061,32	€ 15.372,43	€ 17.588,32
Artikelnummer	8719998049176	8719998049237	8719998049299	8719998049350	8719998049411	8719998049473

AGS LIGHT *

Price 190 cm wood	€ 7.944,63	€ 9.516,07	€ 9.827,17	€ 11.726,43	€ 12.037,54	€ 13.608,97
Itemnumber	8719998046335	8719998046366	8719998046397	8719998046427	8719998046458	8719998046489
Price 250 wood	€ 8.323,66	€ 10.002,67	€ 10.313,78	€ 12.320,62	€ 12.631,72	€ 14.310,73
Itemnumber	8719998046342	8719998046373	8719998046403	8719998046434	8719998046465	8719998046496
Price 305 wood	€ 8.777,16	€ 10.588,58	€ 10.899,68	€ 13.038,93	€ 13.350,03	€ 15.161,45
Itemnumber	8719998046359	8719998046380	8719998046410	8719998046441	8719998046472	8719998046502
Price 190 Carbon	€ 8.617,08	€ 10.412,66	€ 10.723,76	€ 12.847,18	€ 13.158,28	€ 14.953,86
Itemnumber	8719998046663	8719998046694	8719998046724	8719998046755	8719998046786	8719998046816
Price 250 Carbon	€ 9.103,06	€ 11.041,87	€ 11.352,97	€ 13.619,61	€ 13.930,72	€ 15.869,53
Itemnumber	8719998046670	8719998046700	8719998046731	8719998046762	8719998046793	8719998046823
Price 305 Carbon	€ 9.686,80	€ 11.801,43	€ 12.112,53	€ 14.554,99	€ 14.866,09	€ 16.980,72
Itemnumber	8719998046687	8719998046717	8719998046748	8719998046779	8719998046809	8719998046830

AGS XS *

Price 190 wood	€ 7.944,63	€ 9.516,07	€ 9.827,17	€ 11.726,43	€ 12.037,54	€ 13.608,97
Itemnumber	AGSAAX71	AGSAAX81	AGSAAX91	AGSAAX101	AGSAAX111	AGSAAX121
Price 250 wood	€ 8.323,66	€ 10.002,67	€ 10.313,78	€ 12.320,62	€ 12.631,72	€ 14.310,73
Itemnumber	AGSAAX72	AGSAAX82	AGSAAX92	AGSAAX102	AGSAAX112	AGSAAX122
Price 305 wood	€ 8.777,16	€ 10.588,58	€ 10.899,68	€ 13.038,93	€ 13.350,03	€ 15.161,45
Itemnumber	AGSAAX73	AGSAAX83	AGSAAX93	AGSAAX103	AGSAAX113	AGSAAX123
Price 190 Carbon	€ 8.617,08	€ 10.412,66	€ 10.723,76	€ 12.847,18	€ 13.158,28	€ 14.953,86
Itemnumber	AGSAACX71	AGSAACX81	AGSAACX91	AGSAACX101	AGSAACX111	AGSAACX121
Price 250 Carbon	€ 9.103,06	€ 11.041,87	€ 11.352,97	€ 13.619,61	€ 13.930,72	€ 15.869,53
Itemnumber	AGSAACX72	AGSAACX82	AGSAACX92	AGSAACX102	AGSAACX112	AGSAACX122
Price 305 Carbon	€ 9.686,80	€ 11.801,43	€ 12.112,53	€ 14.554,99	€ 14.866,09	€ 16.980,72
Itemnumber	AGSAACX73	AGSAACX83	AGSAACX93	AGSAACX103	AGSAACX113	AGSAACX123

Pay attention! Customized composition and price for the mobile scaffold with AGS 135 scaffolding single-sided



Prices are excl. taxes, shipping and/or freight from ASC or your closest dealer with the required stock.

Price changes and printing errors reserved - Version: 2.7 - 01-05-2023

Platform height in m	2,3	3,3	4,3	5,3	6,3	7,3*	8,3*
Working height in m	4,3	5,3	6,3	7,3	8,3	9,3	10,3
ASC Frame 75-28-7	2	4	4	6	6	8	8
ASC Frame 75-28-4	2		2		2		2
ASC Platform with trapdoor	1	2	2	2	3	3	4
ASC Guardrail frame *	3	4	5	6	7	8	9
ASC Diagonal brace							
ASC Horizontal brace	2	2	2	2	2	2	2
Telestabilizer 200 cm	2	2	2	2	2	2	
Telestabilizer 300 cm							2
Set of toeboards comp. Wooden	1	1	1	1	1	1	1
ASC Wheel + steel spindle 375 kg	4	4	4	4	4	4	4
Locking clips	4	4	8	8	12	12	16

AGS PRO *

Price 190 cm wood	€ 3.996,68	€ 5.040,34	€ 5.897,97	€ 6.546,12	€ 7.799,25	€ 8.447,41	€ 9.736,94
Artikelnummer	8719998050806	8719998050868	8719998050929	8719998050981	8719998051049	8719998051100	8719998051162
Price 250 wood	€ 4.225,02	€ 5.392,23	€ 6.295,62	€ 6.989,54	€ 8.366,22	€ 9.060,14	€ 10.473,23
Artikelnummer	8719998050813	8719998050875	8719998050936	8719998050998	8719998051056	8719998051117	8719998051179
Price 305 wood	€ 4.504,08	€ 5.808,44	€ 6.772,86	€ 7.527,81	€ 9.041,65	€ 9.796,59	€ 11.346,83
Artikelnummer	8719998050820	8719998050882	8719998050943	8719998051001	8719998051063	8719998051124	8719998051186
Price 190 Carbon	€ 4.220,83	€ 5.488,64	€ 6.346,27	€ 6.994,42	€ 8.471,70	€ 9.119,85	€ 10.633,54
Artikelnummer	8719998050837	8719998050899	8719998050950	8719998051018	8719998051070	8719998051131	8719998051193
Price 250 Carbon	€ 4.484,82	€ 5.911,82	€ 6.815,22	€ 7.509,14	€ 9.145,62	€ 9.839,54	€ 11.512,43
Artikelnummer	8719998050844	8719998050905	8719998050967	8719998051025	8719998051087	8719998051148	8719998051209
Price 305 Carbon	€ 4.807,29	€ 6.414,87	€ 7.379,29	€ 8.134,24	€ 9.951,29	€ 10.706,23	€ 12.559,69
Artikelnummer	8719998050851	8719998050912	8719998050974	8719998051032	8719998051094	8719998051155	8719998051216

AGS LIGHT *

Price 190 cm wood	€ 3.814,70	€ 4.797,70	€ 5.594,67	€ 6.182,16	€ 7.374,64	€ 7.962,13	€ 9.191,01
Itemnumber	8719998048162	8719998048223	8719998048285	8719998048346	8719998048407	8719998048469	8719998048520
Price 250 wood	€ 3.955,36	€ 5.032,68	€ 5.846,19	€ 6.450,23	€ 7.737,02	€ 8.341,06	€ 9.664,25
Itemnumber	8719998048179	8719998048230	8719998048292	8719998048353	8719998048414	8719998048476	8719998048537
Price 305 wood	€ 4.200,28	€ 5.403,37	€ 6.266,53	€ 6.920,21	€ 8.332,78	€ 8.986,46	€ 10.435,43
Itemnumber	8719998048186	8719998048247	8719998048308	8719998048360	8719998048421	8719998048483	8719998048544
Price 190 Carbon	€ 4.038,85	€ 5.246,00	€ 6.042,97	€ 6.630,46	€ 8.047,08	€ 8.634,57	€ 10.087,60
Itemnumber	8719998048193	8719998048254	8719998048315	8719998048377	8719998048438	8719998048490	8719998048551
Price 250 Carbon	€ 4.215,16	€ 5.552,28	€ 6.365,79	€ 6.969,82	€ 8.516,42	€ 9.120,45	€ 10.703,45
Itemnumber	8719998048209	8719998048261	8719998048322	8719998048384	8719998048445	8719998048506	8719998048568
Price 305 Carbon	€ 4.503,49	€ 6.009,80	€ 6.872,96	€ 7.526,63	€ 9.242,42	€ 9.896,10	€ 11.648,28
Itemnumber	8719998048216	8719998048278	8719998048339	8719998048391	8719998048452	8719998048513	8719998048575

AGS XS *

Price 190 wood	€ 3.814,70	€ 4.797,70	€ 5.594,67	€ 6.182,16	€ 7.374,64	€ 7.962,13	€ 9.191,01
Itemnumber	AGSAX021	AGSAX031	AGSAX041	AGSAX051	AGSAX061	AGSAX071	AGSAX081
Price 250 wood	€ 3.955,36	€ 5.032,68	€ 5.846,19	€ 6.450,23	€ 7.737,02	€ 8.341,06	€ 9.664,25
Itemnumber	AGSAX022	AGSAX032	AGSAX042	AGSAX052	AGSAX062	AGSAX072	AGSAX082
Price 305 wood	€ 4.200,28	€ 5.403,37	€ 6.266,53	€ 6.920,21	€ 8.332,78	€ 8.986,46	€ 10.435,43
Itemnumber	AGSAX023	AGSAX033	AGSAX043	AGSAX053	AGSAX063	AGSAX073	AGSAX083
Price 190 Carbon	€ 4.038,85	€ 5.246,00	€ 6.042,97	€ 6.630,46	€ 8.047,08	€ 8.634,57	€ 10.087,60
Itemnumber	AGSACX021	AGSACX031	AGSACX041	AGSACX051	AGSACX061	AGSACX071	AGSACX081
Price 250 Carbon	€ 4.215,16	€ 5.552,28	€ 6.365,79	€ 6.969,82	€ 8.516,42	€ 9.120,45	€ 10.703,45
Itemnumber	AGSACX022	AGSACX032	AGSACX042	AGSACX052	AGSACX062	AGSACX072	AGSACX082
Price 305 Carbon	€ 4.503,49	€ 6.009,80	€ 6.872,96	€ 7.526,63	€ 9.242,42	€ 9.896,10	€ 11.648,28
Itemnumber	AGSACX023	AGSACX033	AGSACX043	AGSACX053	AGSACX063	AGSACX073	AGSACX083

Note: Always use two extra (tele) stabilizers for freestanding use.

Prices are excl. taxes, shipping and/or freight from ASC or your closest dealer with the required stock.

Price changes and printing errors reserved - Version: 2.7 - 01-05-2023

Platform height in m	2,3	3,3	4,3	5,3	6,3	7,3*	8,3*
Working height in m	4,3	5,3	6,3	7,3	8,3	9,3	10,3
ASC Frame 75-28-7	2	4	4	6	6	8	8
ASC Frame 75-28-4	2		2		2		2
ASC Platform with trapdoor	1	2	2	2	3	3	4
ASC Guardrail frame *	1	2	2	3	3	4	4
ASC Diagonal brace	2	1	2	1	2	1	2
ASC Horizontal brace	4	6	6	6	8	8	10
Telestabilizer 200 cm	2	2	2	2	2	2	
Telestabilizer 300 cm							2
Set of toeboards comp. Wooden	1	1	1	1	1	1	1
ASC Wheel + steel spindle 375 kg	4	4	4	4	4	4	4
Locking clips	4	4	8	8	12	12	16

AGS PRO *

Price 190 cm wood	€ 3.430,20	€ 4.557,85	€ 5.046,59	€ 5.607,47	€ 6.662,99	€ 7.223,86	€ 8.315,78
Artikelnummer	8719998050141	8719998050202	8719998050264	8719998050325	8719998050387	8719998050448	8719998050509
Price 250 wood	€ 3.580,26	€ 4.834,77	€ 5.326,83	€ 5.930,16	€ 7.073,41	€ 7.676,73	€ 8.856,38
Artikelnummer	8719998050158	8719998050219	8719998050271	8719998050332	8719998050394	8719998050455	8719998050516
Price 305 wood	€ 3.743,90	€ 5.137,23	€ 5.630,95	€ 6.293,64	€ 7.517,99	€ 8.180,69	€ 9.441,44
Artikelnummer	8719998050165	8719998050226	8719998050288	8719998050349	8719998050400	8719998050462	8719998050523
Price 190 Carbon	€ 3.654,35	€ 5.006,14	€ 5.494,89	€ 6.055,76	€ 7.335,43	€ 7.896,31	€ 9.212,38
Artikelnummer	8719998050172	8719998050233	8719998050295	8719998050356	8719998050417	8719998050479	8719998050530
Price 250 Carbon	€ 3.840,06	€ 5.354,37	€ 5.846,43	€ 6.449,76	€ 7.852,81	€ 8.456,13	€ 9.895,58
Artikelnummer	8719998050189	8719998050240	8719998050301	8719998050363	8719998050424	8719998050486	8719998050547
Price 305 Carbon	€ 4.047,12	€ 5.743,65	€ 6.237,37	€ 6.900,07	€ 8.427,63	€ 9.090,32	€ 10.654,29
Artikelnummer	8719998050196	8719998050257	8719998050318	8719998050370	8719998050431	8719998050493	8719998050554

AGS LIGHT *

Price 190 cm wood	€ 3.369,54	€ 4.436,53	€ 4.925,27	€ 5.425,49	€ 6.481,01	€ 6.981,22	€ 8.073,14
Itemnumber	8719998047509	8719998047561	8719998047622	8719998047684	8719998047745	8719998047806	8719998047868
Price 250 wood	€ 3.490,38	€ 4.655,00	€ 5.147,06	€ 5.660,50	€ 6.803,75	€ 7.317,19	€ 8.496,84
Itemnumber	8719998047516	8719998047578	8719998047639	8719998047691	8719998047752	8719998047813	8719998047875
Price 305 wood	€ 3.642,64	€ 4.934,69	€ 5.428,41	€ 5.989,84	€ 7.214,19	€ 7.775,62	€ 9.036,37
Itemnumber	8719998047523	8719998047585	8719998047646	8719998047707	8719998047769	8719998047820	8719998047882
Price 190 Carbon	€ 3.593,69	€ 4.884,82	€ 5.373,57	€ 5.873,78	€ 7.153,45	€ 7.653,67	€ 8.969,74
Itemnumber	8719998047530	8719998047592	8719998047653	8719998047714	8719998047776	8719998047837	8719998047899
Price 250 Carbon	€ 3.750,18	€ 5.174,60	€ 5.666,66	€ 6.180,10	€ 7.583,15	€ 8.096,59	€ 9.536,03
Itemnumber	8719998047547	8719998047608	8719998047660	8719998047721	8719998047783	8719998047844	8719998047905
Price 305 Carbon	€ 3.945,85	€ 5.541,12	€ 6.034,84	€ 6.596,27	€ 8.123,83	€ 8.685,26	€ 10.249,22
Itemnumber	8719998047554	8719998047615	8719998047677	8719998047738	8719998047790	8719998047851	8719998047912

AGS XS *

Price 190 wood	€ 3.369,54	€ 4.436,53	€ 4.925,27	€ 5.425,49	€ 6.481,01	€ 6.981,22	€ 8.073,14
Itemnumber	AGSAX0021	AGSAX0031	AGSAX0041	AGSAX0051	AGSAX0061	AGSAX0071	AGSAX0081
Price 250 wood	€ 3.490,38	€ 4.655,00	€ 5.147,06	€ 5.660,50	€ 6.803,75	€ 7.317,19	€ 8.496,84
Itemnumber	AGSAX0022	AGSAX0032	AGSAX0042	AGSAX0052	AGSAX0062	AGSAX0072	AGSAX0082
Price 305 wood	€ 3.642,64	€ 4.934,69	€ 5.428,41	€ 5.989,84	€ 7.214,19	€ 7.775,62	€ 9.036,37
Itemnumber	AGSAX0023	AGSAX0033	AGSAX0043	AGSAX0053	AGSAX0063	AGSAX0073	AGSAX0083
Price 190 Carbon	€ 3.593,69	€ 4.884,82	€ 5.373,57	€ 5.873,78	€ 7.153,45	€ 7.653,67	€ 8.969,74
Itemnumber	AGSACX0021	AGSACX0031	AGSACX0041	AGSACX0051	AGSACX0061	AGSACX0071	AGSACX0081
Price 250 Carbon	€ 3.750,18	€ 5.174,60	€ 5.666,66	€ 6.180,10	€ 7.583,15	€ 8.096,59	€ 9.536,03
Itemnumber	AGSACX0022	AGSACX0032	AGSACX0042	AGSACX0052	AGSACX0062	AGSACX0072	AGSACX0082
Price 305 Carbon	€ 3.945,85	€ 5.541,12	€ 6.034,84	€ 6.596,27	€ 8.123,83	€ 8.685,26	€ 10.249,22
Itemnumber	AGSACX0023	AGSACX0033	AGSACX0043	AGSACX0053	AGSACX0063	AGSACX0073	AGSACX0083

Platform height in meter	2,3	3,3	4,3	5,3	6,3
Working height in meter	4,3	5,3	6,3	7,3	8,3
Frame 135-7	2	4	4	6	6
Frame 135-4	2		2		2
ASC Platform without trapdoor	1	1	1	1	1
ASC Platform with trapdoor	1	2	2	2	3
ASC Diagonal brace QL	4	6	8	10	12
ASC Horizontal brace QL	6	10	10	14	14
Telestabilizer 200 cm		2	2	2	2
Telestabilizer 300 cm					
Set of toeboards comp. Wooden	1	1	1	1	1
ASC Wheel + steel spindle 375 kg	4	4	4	4	4
Wheel + alu spindle DR Nylon 800 kg					
Locking clips	4	4	8	8	12

ASC
(straight pin)

Price 190 cm wood	€ 3.342,40	€ 5.051,93	€ 5.661,97	€ 6.492,76	€ 7.498,30
Artikelnummer	8719998986082	8719998986143	8719998986204	8719998986266	8719998986327
Price 250 wood	€ 3.572,37	€ 5.379,51	€ 5.996,19	€ 6.846,80	€ 7.936,76
Artikelnummer	8719998986099	8719998986150	8719998986211	8719998986273	8719998986334
Price 305 wood	€ 3.732,81	€ 5.625,96	€ 6.245,91	€ 7.106,40	€ 8.275,76
Artikelnummer	8719998986105	8719998986167	8719998986228	8719998986280	8719998986341
Price 190 Carbon	€ 3.805,49	€ 5.739,18	€ 6.349,22	€ 7.180,00	€ 8.409,70
Artikelnummer	8719998986112	8719998986174	8719998986235	8719998986297	8719998986358
Price 250 Carbon	€ 4.072,47	€ 6.139,41	€ 6.756,09	€ 7.606,70	€ 8.956,47
Artikelnummer	8719998986129	8719998986181	8719998986242	8719998986303	8719998986365
Price 305 Carbon	€ 4.363,13	€ 6.559,49	€ 7.179,44	€ 8.039,93	€ 9.512,50
Artikelnummer	8719998986136	8719998986198	8719998986259	8719998986310	8719998986372

FC
(conical pin)

Price 190 cm wood	€ 4.176,71	€ 6.233,78	€ 6.840,56	€ 8.290,28	€ 8.984,76
Artikelnummer	8719998987409	8719998987461	8719998987522	8719998987584	8719998987645
Price 250 wood	€ 4.295,81	€ 6.362,79	€ 6.976,16	€ 8.432,48	€ 9.136,88
Artikelnummer	8719998987416	8719998987478	8719998987539	8719998987591	8719998987652
Price 305 wood	€ 4.355,37	€ 6.427,28	€ 7.043,96	€ 8.503,59	€ 9.212,93
Artikelnummer	8719998987423	8719998987485	8719998987546	8719998987607	8719998987669
Price 190 Carbon	€ 4.415,65	€ 6.472,72	€ 7.079,50	€ 8.529,22	€ 9.223,70
Artikelnummer	8719998987430	8719998987492	8719998987553	8719998987614	8719998987676
Price 250 Carbon	€ 4.536,11	€ 6.603,08	€ 7.216,46	€ 8.672,78	€ 9.377,17
Artikelnummer	8719998987447	8719998987508	8719998987560	8719998987621	8719998987683
Price 305 Carbon	€ 4.682,47	€ 6.754,39	€ 7.371,07	€ 8.830,69	€ 9.540,03
Artikelnummer	8719998987454	8719998987515	8719998987577	8719998987638	8719998987690

EURO
(glans without conical pin)

Price 190 cm wood	€ 3.817,87	€ 5.580,16	€ 6.265,25	€ 7.125,67	€ 8.206,27
Artikelnummer	8719998988727	8719998988789	8719998988840	8719998988901	8719998988963
Price 250 wood	€ 4.047,99	€ 5.907,97	€ 6.599,70	€ 7.480,04	€ 8.645,05
Artikelnummer	8719998988734	8719998988796	8719998988857	8719998988918	8719998988970
Price 305 wood	€ 4.208,45	€ 6.154,45	€ 6.849,48	€ 7.739,71	€ 8.984,16
Artikelnummer	8719998988741	8719998988802	8719998988864	8719998988925	8719998988987
Price 190 Carbon	€ 4.280,97	€ 6.267,40	€ 6.952,49	€ 7.812,91	€ 9.117,66
Artikelnummer	8719998988758	8719998988819	8719998988871	8719998988932	8719998988994
Price 250 Carbon	€ 4.548,08	€ 6.667,87	€ 7.359,60	€ 8.239,94	€ 9.664,76
Artikelnummer	8719998988765	8719998988826	8719998988888	8719998988949	8719998989007
Price 305 Carbon	€ 4.838,77	€ 7.087,98	€ 7.783,02	€ 8.673,24	€ 10.220,91
Artikelnummer	8719998988772	8719998988833	8719998988895	8719998988956	8719998989014

* The EURO mobile scaffold is standard equipped with a nylon wheel 800 kg and without locking clips

Platform height in meter	7,3	8,3	9,3*	10,3*	11,3*	12,3*
Working height in meter	9,3	10,3	11,3	12,3	13,3	14,3
Frame 135-7	8	8	10	10	12	12
Frame 135-4		2		2		2
ASC Platform without trapdoor	1	1	1	1	1	1
ASC Platform with trapdoor	3	4	4	5	5	6
ASC Diagonal brace QL	14	16	18	20	22	24
ASC Horizontal brace QL	18	18	22	22	26	26
Telestabilizer 200 cm	2	2	2			
Telestabilizer 300 cm				2	2	2
Set of toeboards comp. Wooden	1	1	1	1	1	1
ASC Wheel + steel spindle 375 kg	4	4	4			
Wheel + alu spindle DR Nylon 800 kg				4	4	4
Locking clips	12	16	16	20	20	24

ASC
 (straight pin)

Price 190 cm wood	€ 8.329,09	€ 9.334,64	€ 10.165,42	€ 11.498,79	€ 12.329,57	€ 13.335,12
Artikelnummer	8719998986389	8719998986440	8719998986501	8719998986563	8719998986624	8719998986686
Price 250 wood	€ 8.787,38	€ 9.877,34	€ 10.727,95	€ 12.145,74	€ 12.996,35	€ 14.086,31
Artikelnummer	8719998986396	8719998986457	8719998986518	8719998986570	8719998986631	8719998986693
Price 305 wood	€ 9.136,25	€ 10.305,60	€ 11.166,10	€ 12.663,28	€ 13.523,77	€ 14.693,13
Artikelnummer	8719998986402	8719998986464	8719998986525	8719998986587	8719998986648	8719998986709
Price 190 Carbon	€ 9.240,48	€ 10.470,18	€ 11.300,97	€ 12.858,49	€ 13.689,27	€ 14.918,97
Artikelnummer	8719998986419	8719998986471	8719998986532	8719998986594	8719998986655	8719998986716
Price 250 Carbon	€ 9.807,08	€ 11.156,85	€ 12.007,46	€ 13.685,05	€ 14.535,67	€ 15.885,43
Artikelnummer	8719998986426	8719998986488	8719998986549	8719998986600	8719998986662	8719998986723
Price 305 Carbon	€ 10.372,99	€ 11.845,56	€ 12.706,06	€ 14.506,45	€ 15.366,94	€ 16.839,52
Artikelnummer	8719998986433	8719998986495	8719998986556	8719998986617	8719998986679	8719998986730

FC
 (conical pin)

Price 190 cm wood	€ 10.434,49	€ 11.128,97	€ 12.578,69	€ 13.114,29	€ 14.564,02	€ 15.258,50
Artikelnummer	8719998987706	8719998987768	8719998987829	8719998987881	8719998987942	8719998988000
Price 250 wood	€ 10.593,20	€ 11.297,59	€ 12.753,91	€ 13.805,79	€ 15.262,11	€ 15.966,50
Artikelnummer	8719998987713	8719998987775	8719998987836	8719998987898	8719998987959	8719998988017
Price 305 wood	€ 10.672,56	€ 11.381,89	€ 12.841,52	€ 14.007,58	€ 15.467,21	€ 16.176,54
Artikelnummer	8719998987720	8719998987782	8719998987843	8719998987904	8719998987966	8719998988024
Price 190 Carbon	€ 10.673,43	€ 11.367,91	€ 12.817,63	€ 13.972,89	€ 15.422,61	€ 16.117,09
Artikelnummer	8719998987737	8719998987799	8719998987850	8719998987911	8719998987973	8719998988031
Price 250 Carbon	€ 10.833,49	€ 11.537,88	€ 12.994,20	€ 14.305,89	€ 15.762,21	€ 16.466,60
Artikelnummer	8719998987744	8719998987805	8719998987867	8719998987928	8719998987980	8719998988048
Price 305 Carbon	€ 10.999,66	€ 11.708,99	€ 13.168,62	€ 14.637,89	€ 16.097,52	€ 16.806,86
Artikelnummer	8719998987751	8719998987812	8719998987874	8719998987935	8719998987997	8719998988055

EURO
 (glans withconical pin)

Price 190 cm wood	€ 9.066,69	€ 10.147,28	€ 11.007,71	€ 12.157,83	€ 13.018,25	€ 14.098,85
Artikelnummer	8719998989021	8719998989083	8719998989144	8719998989205	8719998989267	8719998989328
Price 250 wood	€ 9.525,40	€ 10.690,41	€ 11.570,75	€ 12.805,29	€ 13.685,63	€ 14.850,65
Artikelnummer	8719998989038	8719998989090	8719998989151	8719998989212	8719998989274	8719998989335
Price 305 wood	€ 9.874,38	€ 11.118,84	€ 12.009,06	€ 13.246,15	€ 14.136,37	€ 15.380,83
Artikelnummer	8719998989045	8719998989106	8719998989168	8719998989229	8719998989281	8719998989342
Price 190 Carbon	€ 9.978,08	€ 11.282,83	€ 12.143,25	€ 13.517,53	€ 14.377,95	€ 15.682,70
Artikelnummer	8719998989052	8719998989113	8719998989175	8719998989236	8719998989298	8719998989359
Price 250 Carbon	€ 10.545,10	€ 11.969,92	€ 12.850,26	€ 14.344,61	€ 15.224,95	€ 16.649,77
Artikelnummer	8719998989069	8719998989120	8719998989182	8719998989243	8719998989304	8719998989366
Price 305 Carbon	€ 11.111,13	€ 12.658,80	€ 13.549,02	€ 15.089,32	€ 15.979,55	€ 17.527,22
Artikelnummer	8719998989076	8719998989137	8719998989199	8719998989250	8719998989311	8719998989373

Platform height in meter	2,3	3,3	4,3	5,3	6,3
Working height in meter	4,3	5,3	6,3	7,3	8,3
ASC Frame 75-7	2	4	4	6	6
ASC Frame 75-4	2		2		2
ASC Platform with trapdoor	1	2	2	2	3
ASC Diagonal brace QL	2	3	4	5	6
ASC Horizontal brace QL	6	10	10	14	14
Telestabilizer 200 cm	2	2	2	2	2
Telestabilizer 300 cm					
Set of toeboards comp. Wooden	1	1	1	1	1
ASC Wheel + steel spindle 375 kg	4	4	4	4	4
Locking clips	4	8	8	12	12

ASC
(straight pin)

Price 190 cm wood	€ 3.148,69	€ 4.175,74	€ 4.657,29	€ 5.288,83	€ 6.165,89
Artikelnummer	8719998986747	8719998986808	8719998986860	8719998986921	8719998986983
Price 250 wood	€ 3.259,51	€ 4.380,84	€ 4.865,71	€ 5.513,76	€ 6.471,90
Artikelnummer	8719998986754	8719998986815	8719998986877	8719998986938	8719998986990
Price 305 wood	€ 3.365,43	€ 4.571,16	€ 5.057,68	€ 5.714,01	€ 6.749,93
Artikelnummer	8719998986761	8719998986822	8719998986884	8719998986945	8719998987003
Price 190 Carbon	€ 3.372,84	€ 4.624,04	€ 5.105,59	€ 5.737,13	€ 6.838,34
Artikelnummer	8719998986778	8719998986839	8719998986891	8719998986952	8719998987010
Price 250 Carbon	€ 3.519,31	€ 4.900,45	€ 5.385,31	€ 6.033,36	€ 7.251,31
Artikelnummer	8719998986785	8719998986846	8719998986907	8719998986969	8719998987027
Price 305 Carbon	€ 3.668,65	€ 5.177,61	€ 5.664,12	€ 6.320,45	€ 7.659,60
Artikelnummer	8719998986792	8719998986853	8719998986914	8719998986976	8719998987034

FC
(conical pin)

Price 190 cm wood	€ 3.251,26	€ 4.314,71	€ 4.829,34	€ 5.497,28	€ 6.407,42
Artikelnummer	8719998988062	8719998988123	8719998988185	8719998988246	8719998988307
Price 250 wood	€ 3.362,08	€ 4.519,81	€ 5.037,76	€ 5.722,20	€ 6.713,44
Artikelnummer	8719998988079	8719998988130	8719998988192	8719998988253	8719998988314
Price 305 wood	€ 3.468,00	€ 4.710,13	€ 5.229,73	€ 5.922,46	€ 6.991,47
Artikelnummer	8719998988086	8719998988147	8719998988208	8719998988260	8719998988321
Price 190 Carbon	€ 3.475,41	€ 4.763,01	€ 5.277,64	€ 5.945,58	€ 7.079,87
Artikelnummer	8719998988093	8719998988154	8719998988215	8719998988277	8719998988338
Price 250 Carbon	€ 3.621,88	€ 5.039,41	€ 5.557,36	€ 6.241,81	€ 7.492,84
Artikelnummer	8719998988109	8719998988161	8719998988222	8719998988284	8719998988345
Price 305 Carbon	€ 3.771,22	€ 5.316,57	€ 5.836,18	€ 6.528,90	€ 7.901,13
Artikelnummer	8719998988116	8719998988178	8719998988239	8719998988291	8719998988352

EURO
(glans without conical pin)

Price 190 cm wood	€ 3.423,24	€ 4.548,58	€ 5.104,61	€ 5.834,45	€ 6.785,99
Artikelnummer	8719998989380	8719998989441	8719998989502	8719998989564	8719998989625
Price 250 wood	€ 3.534,06	€ 4.753,69	€ 5.313,03	€ 6.059,37	€ 7.092,00
Artikelnummer	8719998989397	8719998989458	8719998989519	8719998989571	8719998989632
Price 305 wood	€ 3.656,48	€ 4.960,47	€ 5.521,48	€ 6.276,06	€ 7.386,48
Artikelnummer	8719998989403	8719998989465	8719998989526	8719998989588	8719998989649
Price 190 Carbon	€ 3.647,39	€ 4.996,88	€ 5.552,92	€ 6.282,75	€ 7.458,44
Artikelnummer	8719998989410	8719998989472	8719998989533	8719998989595	8719998989656
Price 250 Carbon	€ 3.793,86	€ 5.273,29	€ 5.832,63	€ 6.578,98	€ 7.871,41
Artikelnummer	8719998989427	8719998989489	8719998989540	8719998989601	8719998989663
Price 305 Carbon	€ 3.959,70	€ 5.566,91	€ 6.127,92	€ 6.882,51	€ 8.296,15
Artikelnummer	8719998989434	8719998989496	8719998989557	8719998989618	8719998989670

* The EURO mobile scaffold is standard equipped with a nylon wheel 800 kg and without locking clips

Platform height in meter	7,3*	8,3*	9,3*	10,3*	11,3*	12,3*
Working height in meter	9,3	10,3	11,3	12,3	13,3	14,3
ASC Frame 75-7	8	8	10	10	12	12
ASC Frame 75-4		2		2		2
ASC Platform with trapdoor	3	4	4	5	5	6
ASC Diagonal brace QL	7	8	9	10	11	12
ASC Horizontal brace QL	18	18	22	22	26	26
Telestabilizer 200 cm	2					
Telestabilizer 300 cm		2	2	2	2	2
Set of toeboards comp. Wooden	1	1	1	1	1	1
ASC Wheel + steel spindle 375 kg	4	4	4	4	4	4
Locking clips	16	16	20	20	24	24

ASC
(straight pin)

Price 190 cm wood	€ 6.797,43	€ 7.710,89	€ 8.342,43	€ 9.219,49	€ 9.851,03	€ 10.728,09
Artikelnummer	8719998987041	8719998987102	8719998987164	8719998987225	8719998987287	8719998987348
Price 250 wood	€ 7.119,95	€ 8.114,50	€ 8.762,55	€ 9.720,70	€ 10.368,75	€ 11.326,89
Artikelnummer	8719998987058	8719998987119	8719998987171	8719998987232	8719998987294	8719998987355
Price 305 wood	€ 7.406,26	€ 8.478,59	€ 9.134,92	€ 10.170,84	€ 10.827,17	€ 11.863,10
Artikelnummer	8719998987065	8719998987126	8719998987188	8719998987249	8719998987300	8719998987362
Price 190 Carbon	€ 7.469,88	€ 8.607,49	€ 9.239,04	€ 10.340,24	€ 10.971,78	€ 12.072,99
Artikelnummer	8719998987072	8719998987133	8719998987195	8719998987256	8719998987317	8719998987379
Price 250 Carbon	€ 7.899,36	€ 9.153,71	€ 9.801,76	€ 11.019,71	€ 11.667,76	€ 12.885,70
Artikelnummer	8719998987089	8719998987140	8719998987201	8719998987263	8719998987324	8719998987386
Price 305 Carbon	€ 8.315,93	€ 9.691,48	€ 10.347,81	€ 11.686,95	€ 12.343,28	€ 13.682,43
Artikelnummer	8719998987096	8719998987157	8719998987218	8719998987270	8719998987331	8719998987393

FC
(conical pin)

Price 190 cm wood	€ 7.075,36	€ 8.021,91	€ 8.689,85	€ 9.599,99	€ 10.267,93	€ 11.178,07
Artikelnummer	8719998988369	8719998988420	8719998988482	8719998988543	8719998988604	8719998988666
Price 250 wood	€ 7.397,88	€ 8.425,52	€ 9.109,97	€ 10.101,20	€ 10.785,64	€ 11.776,88
Artikelnummer	8719998988376	8719998988437	8719998988499	8719998988550	8719998988611	8719998988673
Price 305 wood	€ 7.684,19	€ 8.789,61	€ 9.482,34	€ 10.551,34	€ 11.244,07	€ 12.313,08
Artikelnummer	8719998988383	8719998988444	8719998988505	8719998988567	8719998988628	8719998988680
Price 190 Carbon	€ 7.747,81	€ 8.918,51	€ 9.586,45	€ 10.720,74	€ 11.388,68	€ 12.522,97
Artikelnummer	8719998988390	8719998988451	8719998988512	8719998988574	8719998988635	8719998988697
Price 250 Carbon	€ 8.177,29	€ 9.464,73	€ 10.149,17	€ 11.400,21	€ 12.084,65	€ 13.335,69
Artikelnummer	8719998988406	8719998988468	8719998988529	8719998988581	8719998988642	8719998988703
Price 305 Carbon	€ 8.593,86	€ 10.002,50	€ 10.695,22	€ 12.067,46	€ 12.760,18	€ 14.132,41
Artikelnummer	8719998988413	8719998988475	8719998988536	8719998988598	8719998988659	8719998988710

EURO
(glans withconical pin)

Price 190 cm wood	€ 7.515,82	€ 8.536,88	€ 9.266,72	€ 10.218,26	€ 10.948,09	€ 11.899,63
Artikelnummer	8719998989687	8719998989748	8719998989809	8719998989861	8719998989922	8719998989984
Price 250 wood	€ 7.838,34	€ 8.940,49	€ 9.686,84	€ 10.719,46	€ 11.465,81	€ 12.498,44
Artikelnummer	8719998989694	8719998989755	8719998989816	8719998989878	8719998989939	8719998989991
Price 305 wood	€ 8.141,07	€ 9.321,01	€ 10.075,59	€ 11.186,01	€ 11.940,60	€ 13.051,01
Artikelnummer	8719998989700	8719998989762	8719998989823	8719998989885	8719998989946	8719998990003
Price 190 Carbon	€ 8.188,28	€ 9.433,49	€ 10.163,32	€ 11.339,01	€ 12.068,85	€ 13.244,53
Artikelnummer	8719998989717	8719998989779	8719998989830	8719998989892	8719998989953	8719998990010
Price 250 Carbon	€ 8.617,75	€ 9.979,70	€ 10.726,04	€ 12.018,47	€ 12.764,82	€ 14.057,25
Artikelnummer	8719998989724	8719998989786	8719998989847	8719998989908	8719998989960	8719998990027
Price 305 Carbon	€ 9.050,73	€ 10.533,90	€ 11.288,48	€ 12.702,12	€ 13.456,71	€ 14.870,35
Artikelnummer	8719998989731	8719998989793	8719998989854	8719998989915	8719998989977	8719998990034

* The EURO mobile scaffold is standard equipped with a nylon wheel 800 kg and without locking clips

ASC Scaffold - Parts frames

	Description	S	Itemnumber	Price	Kg	Dimensions
FRAMES	ASC Frame 135-28-7	A	10100207	€ 369,03	10,5	200x135x5
	ASC Frame 135-28-6	A	10100206	€ 355,80	9	150x135x5
	ASC Frame 135-28-5	A	10100205	€ 332,62	8	125x135x5
	ASC Frame 135-28-4	A	10100204	€ 213,47	6,5	100x135x5
	ASC Frame 135-28-3	A	10100201	€ 205,20	5	78x135x5
	ASC Frame 135-28-2	A	10100203	€ 196,93	4	50x135x5
	ASC Guardrail 135-50-2	A	10100202	€ 152,25	4	100x135x5
	ASC Walkthroughframe 135 left/right	A	10100607	€ 537,82	9,5	200x135x5
	ASC Walkthroughframe 135 left/right 8 sp.	B	10100608	€ 660,28	11	230x135x5
	ASC Walkthroughframe 135 center	B	10100807	€ 660,28	9,5	200x135x5
	ASC Walkthroughframe 135 left/right for stairway guardrail	A	10101207	€ 660,28	10	200x135x5
	ASC Frame 75-28-7	A	10100107	€ 292,91	8	200x75x5
	ASC Frame 75-28-6	A	10100106	€ 279,67	7	150x75x5
	ASC Frame 75-28-5	A	10100105	€ 259,82	5,5	125x75x5
	ASC Frame 75-28-4	A	10100104	€ 196,93	4,5	100x75x5
	ASC Frame 75-28-3	A	990609603	€ 189,85	3,5	78x75x5
	ASC Frame 75-28-2 2 sp.	A	10100103	€ 180,38	2,5	50x75x5
	ASC Guardrail 75-50-2	A	10100102	€ 134,04	3	100x75x5
	ASC Walkthroughframe 75 left/right	B	10100407	€ 494,80	8	200x75x5

FRAMES	FC Frame 135-28-7	A	fc1357	€ 378,96	10,5	200x135x5
	FC Frame 135-28-6	B	8719998999945	€ 365,73	9	150x135x5
	FC Frame 135-28-5	B	8719998999952	€ 342,55	8	125x135x5
	FC Frame 135-28-4	A	fc1354	€ 223,40	6,5	100x135x5
	FC Frame 135-28-3	B	fc1353	€ 218,44	5	78x135x5
	FC Frame 135-28-2	B	fc1352	€ 213,47	3,5	50x135x5
	FC Guardrail 135-50-2	A	fc135k	€ 152,25	4	100x135x5
	FC Walkthroughframe 135-28-7 left	B	fc135dl	€ 544,44	9,5	200x135x5
	FC Walkthroughframe 135-28-7 right	B	fc135dr	€ 544,44	9,5	200x135x5
	FC Walkthroughframe 135-28-7 middle	B	fc135m	€ 660,28	9,5	200x135x5
	FC Walkthroughframe 135 left for stairway guardrail	B	fc135dls	€ 658,63	9,5	200x135x5
	FC Walkthroughframe 135 right for stairway guardrail	B	fc135drs	€ 658,63	9,5	200x135x5
	FC Frame 75-28-7	A	990608837	€ 327,65	8	200x75x5
	FC Frame 75-28-6	B	8719998999785	€ 307,63	7	150x75x5
	FC Frame 75-28-5	B	8719998999792	€ 289,57	6	125x75x5
	FC Frame 75-28-4	A	fc754	€ 213,47	4,5	100x75x5
	FC Frame 75-28-3	B	8719998999808	€ 210,17	3,5	78x75x5
	FC Frame 75-28-2	B	fc752o	€ 206,85	2,5	50x75x5
	FC Frame 75-50-2	A	81100102	€ 134,04	3	100x75x5
FC Frame 75 left	B	81101007	€ 537,82	7	200x75x5	
FC Walkthroughframe 75 right	B	81101107	€ 537,82	7	200x75x5	

FRAMES	Euro Frame 135-7	A	20100207	€ 395,51	9,5	200x135x5
	Euro Frame 135-6	B	8719998999914	€ 378,36	8,5	150x135x5
	Euro Frame 135-5	B	8719998999921	€ 349,37	7,5	125x135x5
	Euro Frame 135-4	A	20100204	€ 246,57	6	100x135x5
	Euro Frame 135-3	B	8719998999938	€ 238,09	5	78x135x5
	Euro Frame 135-28-2	B	20100203	€ 230,02	4	50x135x5
	Euro Guardrail frame 135-50-2	A	20100202	€ 172,09	4	100x135x5
	Euro Walkthroughframe 135 left	B	20100607	€ 560,98	8	200x135x5
	Euro Walkthroughframe 135 right	B	20100707	€ 560,98	8	200x135x5
	Euro Walkthroughframe 135 center	B	20100807	€ 658,63	9	200x135x5
	Euro Walkthroughframe 135 center 8 sp.	B	20100808	€ 709,93	10	230x135x5
	Euro Walkthroughframe 135 left for stairway guardrail	B	20101207	€ 709,93	8,5	200x135x5
	Euro Walkthroughframe 135 right for stairway guardrail	B	20101307	€ 709,93	8,5	200x135x5
	Euro Frame 75-7	A	20100107	€ 362,41	7	200x75x5
	Euro Frame 75-6	B	8719998999815	€ 323,01	7	150x75x5
	Euro Frame 75-5	B	8719998999822	€ 297,94	6	125x75x5
	Euro Frame 75-4	A	20100104	€ 230,02	4,5	100x75x5
	Euro Frame 75-3	B	8719998999839	€ 221,74	3,5	78x75x5
	Euro Frame 75-28-2 2 sp.	B	20100103	€ 213,47	3	50x75x5
Euro Guardrail frame 75-50-2	A	20100102	€ 155,55	3	100x75x5	
Euro Walkthroughframe 75 left	B	20100407	€ 544,44	6	200x75x5	
Euro Walkthroughframe 75 right	B	20100507	€ 544,44	6	200x75x5	

	Locking clips	A	90609997	€ 1,92		
--	---------------	---	----------	--------	--	--

Scaffold XXL / Easy-Clic - Parts

	Description	S	Itemnumber	Price	Kg	Dimensions	
ASC	ASC Frame 150-28-7	B	10110207	€ 412,05	10,5	200x150x5	
	ASC Frame 150-28-4	B	10110204	€ 263,12	6,5	100x150x5	
	ASC Frame 150-28-2	B	10110203	€ 230,02	3	50x150x5	
	ASC/FC Frame 150-50-2	B	10110202	€ 190,31	4	100x150x5	
	ASC Walkthroughframe 150 left/right	B	10110607	€ 594,09	9,5	200x150x5	
	ASC Walkthroughframe 150 left/right 8 sports	B	10110608	€ 643,73	9	229x150x5	
	ASC Walkthroughframe 150 midden	B	10110807	€ 786,05	9,5	200x150x5	
	ASC Walkthroughframe 150 left/right	B	10111207	€ 786,05	10	200x150x5	
	ASC Frame 90-28-7	A	10110107	€ 350,55	8	200x90x5	
	ASC Frame 90-28-4	A	10110104	€ 202,80	4,5	100x90x5	
	ASC Frame 90-28-2	B	10110103	€ 187,07	4	50x90x5	
	ASC/FC Guardrailframe 90-50-2	A	10110102	€ 144,64	3	100x90x5	
	ASC Walkthroughframe 90 left/right for stairwell guardrail	B	10110407	€ 510,93	6	200x90x5	

Fast Clic	FC Frame 150-28-7	B	fc1507	€ 412,05	10,5	200x150x5	
	FC Frame 150-28-4	B	fc1504	€ 263,12	6,5	100x150x5	
	FC Frame 150-28-2	B	fc1502	€ 246,57	3,5	50x150x5	
	FC Walkthroughframe 150 left	B	fc150dl	€ 594,09	9,5	200x150x5	
	FC Walkthroughframe 150 right	B	fc150dr	€ 594,09	9,5	200x150x5	
	FC Walkthroughframe 150 middle	B	fc150dm	€ 786,05	9,5	200x150x5	
	FC Walkthroughframe 150 left for stairwell guardrail	B	fc150dls	€ 786,05	9,5	200x150x5	
	FC Walkthroughframe 150 right for stairwell guardrail	B	fc150drs	€ 786,05	9,5	200x150x5	
	FC Frame 90-28-7	B	fc907	€ 360,01	8	200x90x5	
	FC Frame 90-28-4	B	fc904	€ 212,24	4,5	100x90x5	
	FC Frame 90-28-2	B	fc902o	€ 196,51	4	56x90x5	
	FC Walkthroughframe 90 left	B	fc90dl	€ 517,22	7	200x90x5	
	FC Walkthroughframe 90 right	B	fc90dr	€ 517,22	7	200x90x5	

Euro	Euro Frame 150-28-7	B	20110207	€ 412,05	9,5	200x150x5	
	Euro Frame 150-28-4	B	20110204	€ 263,12	6	100x150x5	
	Euro Frame 150-28-2	B	20110203	€ 246,57	3	56x150x5	
	Euro Guardrailframe 150-50-2	B	20110202	€ 190,31	4	100x150x5	
	Euro Walkthroughframe 150 links	B	20110607	€ 594,09	8	200x150x5	
	Euro Walkthroughframe 150 rechts	B	20110707	€ 594,09	8	200x150x5	
	Euro Walkthroughframe 150 midden	B	20110807	€ 703,31	8,5	200x150x5	
	Euro Walkthroughframe 150 midden 8 sport	B	20110808	€ 786,05	9	229x150x5	
	Euro Walkthroughframe 150 links for stairwell guardrail	B	20111207	€ 786,05	8,5	200x150x5	
	Euro Walkthroughframe 150 rechts for stairwell guardrail	B	20111307	€ 786,05	8,5	200x150x5	
	Euro Frame 90-28-7	B	20110107	€ 375,73	7	200x90x5	
	Euro Frame 90-28-4	B	20110104	€ 234,24	4,5	100x90x5	
	Euro Frame 90-28-2	B	20110103	€ 218,52	3	56x90x5	
	Euro Guardrailframe 90-50-2	B	20110102	€ 163,49	3	100x90x5	
Euro Walkthroughframe 90 left	B	20110407	€ 532,94	6	200x90x5		
Euro Walkthroughframe 90 right	B	20110507	€ 532,94	6	200x90x5		

FRAMES 135	Easy-Clic Frame 135-28-7	B	8719998042115	€ 378,95	10,5	200x135x5
	Easy-Clic Frame 135-28-6	B	8719998999877	€ 365,73	9,0	150x135x5
	Easy-Clic Frame 135-28-5	B	8719998999884	€ 342,55	8,0	125x135x5
	Easy-Clic Frame 135-28-4	B	8719998042122	€ 223,40	6,5	100x135x5
	Easy-Clic Frame 135-28-3	B	8719998999891	€ 218,44	5	78x135x5
	Easy-Clic Frame 135-28-2	B	8719998999907	€ 213,47	3,5	50x135x5
	Easy-Clic Frame 135-50-2	B	8719998055795	€ 152,25	4	100x135x5

Easy-Clic 75	Easy-Clic Frame 75-28-7	B	8719998055733	€ 327,65	8	200x75x5
	Easy-Clic Frame 75-28-6	B	8719998999846	€ 307,63	7	150x75x5
	Easy-Clic Frame 75-28-5	B	8719998999853	€ 289,57	6	125x75x5
	Easy-Clic Frame 75-28-4	B	8719998055740	€ 213,47	4,5	100x75x5
	Easy-Clic Frame 75-28-3	B	8719998999860	€ 210,17	4	78x75x5
	Easy-Clic Frame 75-50-2	B	8719998055757	€ 134,05	3	50x75x5

Easy-Clic 150	Easy-Clic Frame 150-28-7	C	8719998055801	€ 412,05	9,5	200x150x5
	Easy-Clic Frame 150-28-4	C	8719998055818	€ 263,12	6	100x150x5
	Easy-Clic Guardrailframe 150-50-2	C	8719998055825	€ 190,31	4	100x150x5

Easy-Clic 90	Easy-Clic Frame 90-28-7	C	8719998055764	€ 360,01	7	200x90x5
	Easy-Clic Frame 90-28-4	C	8719998055771	€ 212,24	4,5	100x90x5
	Easy-Clic Guardrailframe 90-50-2	C	8719998055788	€ 144,64	3	100x90x5

Platforms

WOODEN PLATFORM	Description	S	Itemnumber	Price	Kg	Dimensions
	ASC Platform without trapdoor 135 wooden deck	A	990609491	€ 296,24	6	135x60x6
	ASC Platform without trapdoor 190 wooden deck	A	10203111	€ 309,45	12	190x60x6
	ASC Platform without trapdoor 250 wooden deck	A	10203112	€ 412,05	18,4	250x60x6
	ASC Platform without trapdoor 305 wooden deck	A	10203113	€ 463,35	20	305x60x6
	ASC Platform with trapdoor 135 wooden deck	A	990609492	€ 378,96	6	135x60x6
	ASC Platform with trapdoor 190 wooden deck	A	10203011	€ 395,51	13	190x60x6
	ASC Platform with trapdoor 250 wooden deck	A	10203012	€ 473,28	19,4	250x60x6
	ASC Platform with trapdoor 305 wooden deck	A	10203013	€ 549,42	21	305x60x6

SMALL PLATFO	Description	S	Itemnumber	Price	Kg	Dimensions
	ASC Platform 190 small x 30 cm wood HEAVY	A	8719998039313	€ 278,00		190x30x6
	ASC Platform 250 small x 30 cm wood HEAVY	A	8719998006636	€ 395,53		250x30x6
	ASC Platform 305 small x 30 cm wood HEAVY	A	8719998011739	€ 423,65		305x30x6
	ASC Platform 190 small 30 cm for console	A	8719998056433	€ 236,48		190x30x6
ASC Platform 250 small 30 cm for console	A	8719998056440	€ 282,26		250x30x6	

CARBON PLATFORM	Description	S	Itemnumber	Price	Kg	Dimensions
	ASC platform without trapdoor 190 carbon deck	A	10213111	€ 548,40	8	190x60x6
	ASC Platform without trapdoor 250 carbon deck	A	10213112	€ 652,34	14,8	250x60x6
	ASC Platform without trapdoor 305 carbon deck	A	10213113	€ 790,46	16	305x60x6
	ASC Platform with trapdoor 190 carbon deck	A	10213011	€ 619,66	9	190x60x6
	ASC Platform with trapdoor 250 carbon deck	A	10213012	€ 733,09	16	250x60x6
ASC Platform with trapdoor 305 carbon deck	A	10213013	€ 852,63	17	305x60x6	

EURO PLATFORM	Description	S	Itemnumber	Price	Kg	Dimensions
	Platform without trapdoor 400 EURO wooden deck	B	20203314	€ 569,27	12	400x60x6
	Platform with trapdoor 400 EURO wooden deck	B	20203214	€ 645,40	14,8	400x60x6
	Platform without trapdoor 400 EURO carbon deck	B	20213314	€ 1.102,57	12,5	400x60x6
Platform with trapdoor 400 EURO carbon deck	B	20213214	€ 1.197,20	15,5	400x60x6	

X-LIGHT PLATFORM	Description	S	Itemnumber	Price	Kg	Dimensions
	ASC X-light deck without trapdoor 190 carbondeck	B	990609215	€ 791,01	12	190x60x6
	ASC X-light deck without trapdoor 250 carbondeck	B	990609216	€ 890,30	14,8	250x60x6
	ASC X-light deck without trapdoor 305 carbondeck	B	990609217	€ 986,28	18	305x60x6
	ASC X-light deck with trapdoor 190 carbondeck	B	990609218	€ 910,16	12,5	190x60x6
	ASC X-light deck with trapdoor 250 carbondeck	B	990609219	€ 1.009,45	15,5	250x60x6
ASC X-light deck with trapdoor 305 carbondeck	B	990609220	€ 917,24	18,5	305x60x6	

X-PLATFORM	Description	S	Itemnumber	Price	Kg	Dimensions
	ASC X-platform without trapdoor 190 wooden non-slip deck	B	990609253	€ 448,46	16	190x60x6
	ASC X-platform without trapdoor 250 wooden non-slip deck	B	990609254	€ 514,65	18,4	250x60x6
	ASC X-platform without trapdoor 305 wooden non-slip deck	B	990609255	€ 559,34	22	305x60x6
	ASC X-platform with trapdoor 190 wooden non-slip deck	B	990609256	€ 514,65	16,5	190x60x6
ASC X-platform with trapdoor 250 wooden non-slip deck	B	990609257	€ 577,54	19,5	250x60x6	

ASC Guardrail Frame

AGS Pro Guardrail Frame

Description	S	Itemnumber	Price	Kg
AGS Pro Guardrail Frame 190	A	8719998052138	€ 456,17	8,7
AGS Pro Guardrail Frame 250	A	8719998052190	€ 501,94	9,1
AGS Pro Guardrail Frame 305	A	8719998052275	€ 562,96	11,5
AGS Pro Guardrail Frame 400	B	8719998052930	€ 912,34	14

AGS Light Guardrail Frame

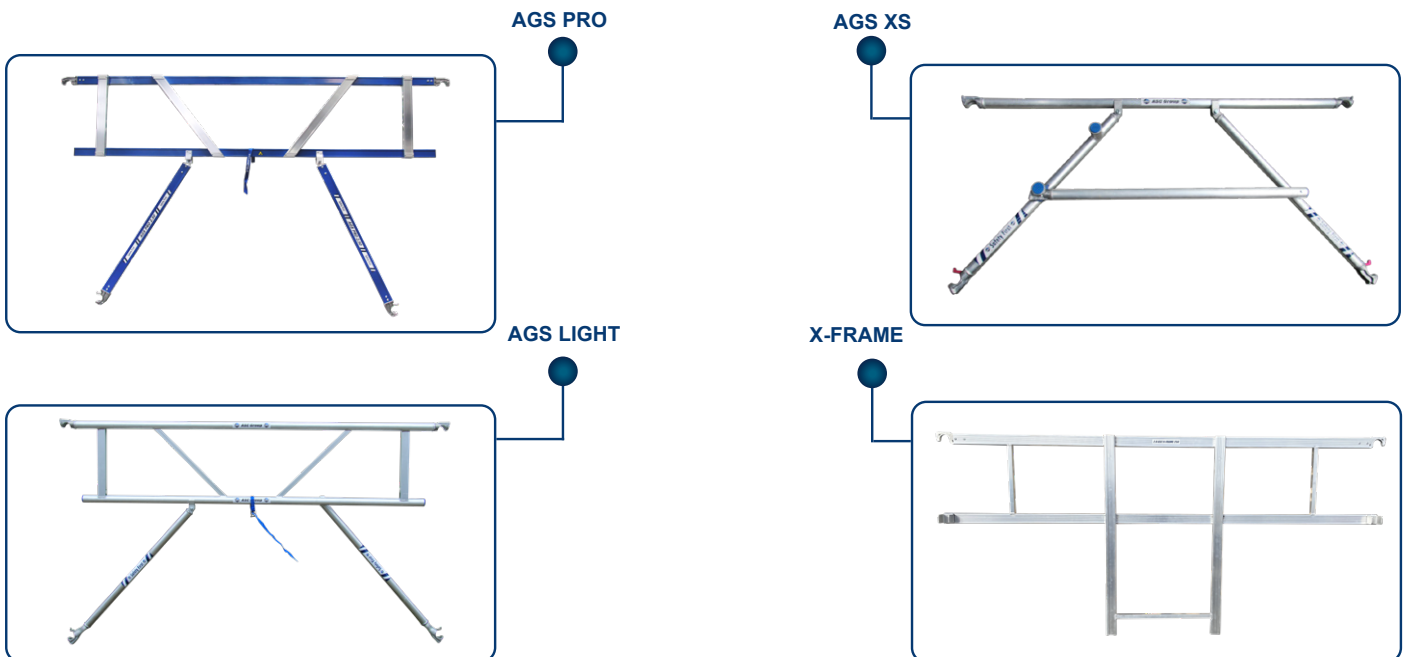
Description	S	Itemnumber	Price	Kg
AGS Light Guardrail Frame 190	B	8719998985931	€ 395,51	5,6
AGS Light Guardrail Frame 250	A	8719998985924	€ 412,05	6
AGS Light Guardrail Frame 305	B	8719998985917	€ 461,70	7,6
AGS Light Guardrail Frame 400	B	8719998985665	€ 786,05	10

AGS XS Guardrail Frame

Description	S	Itemnumber	Price	Kg
AGS XS Guardrail Frame 190	B	8719998999976	€ 395,50	6,6
AGS XS Guardrail Frame 250	A	8719998999983	€ 412,05	7
AGS XS Guardrail Frame 305	B	8719325137866	€ 461,70	9,1

ASC X-Frame Guardrail Frames

Description	S	Itemnumber	Price	Kg
ASC X-Frame Guardrail Frame 190	A	8719325137927	€ 289,60	5,1
ASC X-Frame Guardrail Frame 250	A	8719325137934	€ 306,15	5,6
ASC X-Frame Guardrail Frame 305	B	8719325137941	€ 327,65	6,7
ASC X-Frame Guardrail Frame 400	B	8719325137958	€ 412,05	8,5
Layco X-Frame Guardrail Frame 285	B	8719998999204	€ 404,30	6,5



Braces

	Description	S	Itemnumber	Price	Kg	Dimensions
ASC BRACES	ASC Horizontal brace 135	A	990609493	€ 85,47	2	135x5x5
	ASC Horizontal brace 190	A	10302111	€ 85,64	2	190x5x5
	ASC Horizontal brace 250	A	10302112	€ 88,95	2,3	250x5x5
	ASC Horizontal brace 305	A	10302113	€ 90,60	2,7	305x5x5
	ASC Horizontal brace 400	B	10302114	€ 109,22	3	400x5x5
	ASC Diagonal brace 135	A	99060500	€ 87,28		
	ASC Diagonal brace 190	A	10302011	€ 87,28	2	222x5x5
	ASC Diagonal brace 250	A	10302012	€ 90,60	2,3	284x5x5
	ASC Diagonal brace 305	A	10302013	€ 92,27	2,7	325x5x5
	ASC Diagonal brace 400	B	10302014	€ 114,18	3	415x5x5
	ASC Horizontal brace 190 QL	A	10312111	€ 86,07	2	190x5x5
	ASC Horizontal brace 250 QL	A	10312112	€ 89,37	2,4	250x5x5
	ASC Horizontal brace 305 QL	A	10312113	€ 91,02	2,8	305x5x5
	ASC Horizontal brace 400 QL	B	10312114	€ 99,29	3,1	400x5x5
	ASC Diagonaal brace 190 QL	A	10312011	€ 87,70	2	222x5x5
	ASC Diagonaal brace 250 QL	A	10312012	€ 91,02	2,3	284x5x5
	ASC Diagonaal brace 305 QL	A	10312013	€ 92,65	2,7	325x5x5
	ASC Diagonaal brace 400 QL	A	10312014	€ 105,91	3	415x5x5
	ASC Double Horizontal brace 190	A	10302211	€ 256,50	5	190x50x5
	ASC Double Horizontal brace 250	A	10302212	€ 296,22	5,6	250x50x5
	ASC Double Horizontal brace 305	A	10302213	€ 312,76	6,4	305x50x5
	ASC Double Horizontal brace 400	B	10302214	€ 388,89	7	400x50x5

EURO BRACES	EURO Horizontal brace 190	A	20302111	€ 92,27	2	190x5x5
	EURO Horizontal brace 250	A	20302112	€ 95,57	2,3	250x5x5
	EURO Horizontal brace 305	A	20302113	€ 97,22	2,7	305x5x5
	EURO Horizontal brace 400	B	20302114	€ 114,18	3	400x5x5
	EURO Diagonal brace 190	A	20302011	€ 95,57	2	222x5x5
	EURO Diagonal brace 250	A	20302012	€ 98,88	2,4	284x5x5
	EURO Diagonal brace 305	A	20302013	€ 100,54	2,8	325x5x5
	EURO Diagonal brace 400	B	20302014	€ 124,11	3,1	415x5x5
	Euro Horizontal brace 190 QL	A	20312111	€ 92,65	2	190x5x5
	Euro Horizontal brace 250 QL	A	20312112	€ 95,97	2,3	250x5x5
	Euro Horizontal brace 305 QL	A	20312113	€ 97,62	2,7	305x5x5
	Euro Horizontal brace 400 QL	B	20312114	€ 105,91	3	400x5x5
	EURO Diagonal brace 190 QL	B	20312011	€ 95,98	2	222x5x5
	EURO Diagonal brace 250 QL	B	20312012	€ 99,29	2,3	284x5x5
	EURO Diagonal brace 305 QL	B	20312013	€ 100,95	2,7	325x5x5
	EURO Diagonal brace 400 QL	B	20312014	€ 110,88	3	415x5x5
	EURO Double guardrail brace 190	B	20302211	€ 263,12	4	190x50x5
	EURO Double guardrail brace 250	B	20302212	€ 296,22	5,5	250x50x5
	EURO Double guardrail brace 305	B	20302213	€ 312,76	6	305x50x5
	EURO Double guardrail brace 400	B	20302214	€ 412,05	6,5	400x50x5

Mobile Tower accessories

Description	S	Itemnumber	Price	Kg	Dimensions
Stabilizer 150 cm	A	10404021	€ 173,76	3,5	150x12x5
Stabilizer 200 cm	A	10404022	€ 205,20	4	200x12x5
Stabilizer 300 cm	A	10404023	€ 223,40	4,5	300x12x5
Telestabilizer 200 cm	A	10404122	€ 241,62	4,5	210x12x5
Telestabilizer 300 cm	A	10404123	€ 259,82	6	310x12x5

EURO Stabilizer 150	B	20404021	€ 206,85	2,5	150x12x5
EURO Stabilizer 200	A	20404022	€ 218,44	4	200x12x5
EURO Stabilizer 300	A	20404023	€ 235,00	4,5	300x12x5
EURO Telestabilizer 200	A	20404122	€ 253,18	4,5	210x12x5
EURO Telestabilizer	A	20404123	€ 287,94	5,5	310x12x5

Wheels	Itemnumber	Price	S	kg	Dimensions
Wheel for folding tower 125 mm	90506300	€ 41,37	A	1,5	12x15x5
Wheel for folding tower 150 mm	90506500	€ 47,99	A	2	15x15x5
Wheel + Alu spindle DR rubber 275 kg	90506600	€ 180,37	A	5,5	60x20x10
Wheel + Alu spindle DR Nylon 800 kg	90506700	€ 177,14	A	6	60x20x10
Wheel + Steel spindle B/G 375 kg	90506605-1	€ 104,29	A	4,6	60x20x10
Wheel double for rough terrain	990609022	€ 248,23	A	6	60x50x20
Wheel adjustable yellow/blue 125 mm	910000012	€ 132,39	A	4,6	60x20x10

Spindles	Itemnumber	Price	S	kg	Dimensions
Spindle + base plate alu incl. adjusting nut	90506900	€ 130,73	A	2	65x15x15
Spindle + base plate steel incl. adjusting nut	990608880	€ 99,29	A	3,5	30x20x20

Scaffold Bumper	Itemnumber	Price	S	kg	Dimensions
Scaffold Bumper large for mobile tower p/set of 4 pcs.	90609990-1	€ 230,02	A	0,9	40x40x40
Scaffold Bumper small for mobile tower p/set of 4 pcs.	90609991-1	€ 175,42	A	0,9	30x30x30
Scaffold Bumper Bumpy set (2 pcs.)	990609002	€ 190,31	A	3,7	40x20x20
Scaffold Bumper for hydraulic platforms	9609992	€ 296,21	A	0,9	

Base plate	Itemnumber	Price	S	kg	Dimensions
Base plate p/set of 4 pcs.	90506010	€ 117,09	A	3,7	50x50x50

Handrail post	S	Itemnumber	Price
Handrail post	A	90610001	€ 99,29
Single handrail post ASC / FC + coupling	A	70860001	€ 180,38
Handrail post luxury (2* sport) incl. coupling	A	990607004	€ 236,64
Handrail post luxury for gaurdrail (2* sport) incl. coupling	A	990607005	€ 236,64
Single guardrail post FC + coupling	B	fcelk	€ 180,38
Single handrailpost Euro + coupling	B	70850001	€ 196,93

Wall Anchorage	Itemnumber	Price	S	kg	Dimensions
Wall Anchorage steel 50 cm with hook p/p	70740030	€ 74,47	A	1,9	50x5x5
Wall Anchorage steel 80 cm with hook p/p	70740031	€ 91,02	A	2,8	85x5x5
Wall Anchorage/wall distance bracket alu 180 cm p/p	70740020	€ 97,63	A	4	180x5x5
Aluminium wall distance bracket 150 cm p/p	70750000	€ 64,54	A	3	150x5x5
Aluminium wall distance bracket 250 cm p/p	70760000	€ 81,08	B	4,5	250x5x5
<i>Wall anchorages and wall distance brackets are to be used in combination with swivel couplings</i>					
Double swivel coupling (nylon-6) p/p	90609984	€ 82,74	A	0,9	15x15x5
Double swivel coupling (steel) p/p	90609986	€ 37,23	A	1,4	15x15x5

Gutter for tools	Itemnumber	Price	S	kg	Dimensions
Gutter for tools 190	70460190	€ 147,28	B	3	190x15x5
Gutter for tools 250	70460250	€ 196,92	B	3,7	250x15x5
Gutter for tools 305	70460305	€ 230,02	B	4,7	305x15x5

Floor carrier	S	Itemnumber	Price
Floor carrier ASC 190	C	10202511	€ 322,69
Floor carrier ASC 250	C	10202512	€ 355,79
Floor carrier ASC 305	C	10202513	€ 378,95
Floor carrier Heavy 190 matt	C	10202611	€ 539,48
Floor carrier Heavy 250 matt	C	10202612	€ 590,78
Floor carrier Heavy 305 matt	C	10202613	€ 625,52

Set of Toeboards

Set of toeboards wooden

Description	S	Itemnum.	Price	Kg	Dimensions
Set of toeboards 75-190	A	H90607830	€ 149,15	8	190x15x17
Set of toeboards 75-250	A	H90607831	€ 154,83	11	250x15x17
Set of toeboards 75-305	A	H90607832	€ 169,03	12	300x15x17

Set of toeboards 135-190	A	H90607835	€ 154,83	10	190x15x17
Set of toeboards 135-250	A	H90607836	€ 169,03	13	250x15x17
Set of toeboards 135-305	A	H90607837	€ 183,24	14	300x15x17

Loose board 75	A	H90607840	€ 28,41	1	68x15x2,5
Loose board 135	A	H90607841	€ 35,51	2	122x15x2,5
Loose board 190	A	H90607842	€ 39,06	2,5	190x15x2,5
Loose board 250	A	H90607843	€ 42,61	4	250x15x2,5
Loose board 305	A	H90607844	€ 49,72	4,5	300x15x2,5

Set of toeboards hinged aluminium

Description	S	Itemnum.	Price	Kg	Dimensions
Set of toeboards hinged 75x190 alu complete	A	90608830	€ 312,76	10,2	190x15x12
Set of toeboards hinged 75x250 alu complete	A	90608831	€ 355,79	11,2	250x15x12
Set of toeboards hinged 75x305 alu complete	A	90608832	€ 405,44	14,2	300x15x12
Set of toeboards hinged 75x400 alu complete	B	90608833	€ 428,60	17,6	400x15x12

Set of toeboards hinged 135x190 alu complete	A	90608834	€ 355,79	13,4	190x15x12
Set of toeboards hinged 135x250 alu complete	A	90608835	€ 405,44	14,2	250x15x12
Set of toeboards hinged 135x305 alu complete	A	90608836	€ 461,70	17,2	300x15x12
Set of toeboards hinged 135x400 alu complete	B	90608837	€ 494,80	21	400x15x12

Set of toeboards aluminium

Description	S	Itemnum.	Price	Kg	Dimensions
Set of toeboards 190x75 alu complete incl. brackets	A	90607830	€ 246,57	9,8	190x15x17
Set of toeboards 250x75 alu complete incl. brackets	A	90607831	€ 289,60	10,6	250x15x17
Set of toeboards 305x75 alu complete incl. brackets	A	90607832	€ 339,24	13,6	300x15x17
Set of toeboards 400x75 alu complete incl. brackets	B	90607833	€ 364,06	17	400x15x17

Set of toeboards 190x135 alu complete incl. brackets	A	90607834	€ 296,22	12,8	190x15x17
Set of toeboards 250x135 alu complete incl. brackets	A	90607835	€ 345,86	13,6	250x15x17
Set of toeboards 305x135 alu complete incl. brackets	A	90607836	€ 388,89	16,6	300x15x17
Set of toeboards 400x135 alu complete incl. brackets	B	90607837	€ 428,60	20,4	400x15x17

Loose alu toeboard 75	A	90607915	€ 52,95	1	68x15x2,5
Loose alu toeboard 135	A	90607916	€ 74,47	2,5	122x15x2,5
Loose alu toeboard 190	A	90607911	€ 92,67	3,6	190x15x2,5
Loose alu toeboard 250	A	90607912	€ 114,18	4	250x15x2,5
Loose alu toeboard 305	A	90607913	€ 132,39	5,5	300x15x2,5
Loose alu toeboard 400	B	90607914	€ 165,48	7,4	400x15x2,5
Loose alu toeboard 600	B	90607917	€ 256,50	10,8	600x15x2,5

Toeboards supplies

Description	S	Itemnum.	Price	Kg	Dimensions
Bracket for toeboard plastic p.p.	A	90608200	€ 14,07	0,16	13x11x8
Cap for toeboard plastic (black) p.p.	A	90608300	€ 5,38	0,01	15x2,5x2

Loose parts / Solar Scaffold system / Roof console

Loose parts	S	Itemnum.	Price
ASC Adapterframes 135 -> 75	A	70650010	€ 378,96
FC Adapterframes 135 -> 75 left	B	fcadfr	€ 378,96
FC Adapterframes 135 -> 75 right	B	fcadfl	€ 378,96
Euro Adapterframes 135 -> 75 left/right	B	70650000	€ 395,51
ASC Extension frame	C	70770010	€ 709,93
FC Extension frame a piece	C	fcblkf	€ 709,93
Euro Extension frame a piece	C	70770000	€ 743,02
ASC Adapterpin on a coupling a piece	A	70651010	€ 130,73
FC Adapterpin on a coupling a piece	A	fcadpk	€ 130,73
Euro Adapterpin on a coupling a piece	B	70651000	€ 147,28

Hinge Scaffold ladder	S	Itemnum.	Price
Hinge Scaffold ladder small	B	990609671	€ 756,64
Hinge Scaffold ladder big	B	990609672	€ 827,60

ASC Solar Scaffold System	S	Itemnum.	Price
ASC Solar Scaffold System	B	8719998998597	€ 1.673,63
ASC Foldable frame	B	8719998998443	€ 507,28

ASC Scaffold Lift	S	Itemnum.	Price
ASC Scaffold Lift complete for working height 8.2 m	B	8719998994643	€ 3.745,16
ASC Scaffold lift, Expansion set 2 m	B	8719998994650	€ 454,41
ASC Scaffold lift, Alu spindel incl. cap	B	8719998994636	€ 182,19
ASC Scaffold lift, Winch console incl. 25 m cable and hook	B	8719998994629	€ 839,11
ASC Scaffold lift, Headpiece incl. pulley for winch	B	8719998994612	€ 335,64
ASC Scaffold lift, Frame 1 m	B	8719998994605	€ 215,76
ASC Scaffold lift, Frame 2 m	B	8719998994599	€ 287,69
ASC Scaffold lift, Cargo frame	B	8719998994582	€ 743,20

Roof console

Description	S	kg	Price	Itemnum.
Extension console compl. 135 (2 support+lengthening piece)	A	17	€ 1.158,38	70770020

Above mentioned price is excl. platforms, guardrails and braces.

Roof Scaffold big

Description	S	Price	Itemnum.
Roof Scaffold big for 4 platforms(set of 2 pieces)	C	€ 1.783,85	91000011

Above mentioned price is excl. Platforms and 4 turn coupling

Extension console

Description	S	Price	Itemnum.
Extension console 30 cm (for L960/30 cm, ex kop)	A	€ 128,73	990608896
Extension console single 75 incl. 1 steel turn coupling	A	€ 160,91	8719998053036
Extension frame 75 incl. 2 st kop 51 with 1 roof protection p. unit	B	€ 453,42	990608954
Extension frame 135 incl. 2 st kop 51 with 1 roof protection p. unit	B	€ 476,58	990608953

List of components A-line Folding Tower

Module:		1	2	3	4	5	6		
Artikelnr.	Working height		2,70	3,85	4,70	5,70	6,50	7,50	Price
	Platform Height		0,70 **	1,85	2,70	3,70	4,50	5,50	
40005000	Folding Tower (without trapdoor)	1	1						€ 868,79
	= 1 x Folding unit D75-6								
	= 1 x Platform without trapdoor								
	= 4 x Wheel 150mm								
	= 5 x Lockingclip								
40004900	Folding Tower (with trapdoor)			1	1	1	1	1	€ 961,46
	= 1 x Folding unit D75-6								
	= 1 x platform with trapdoor								
	= 4 x Wheel 150mm								
	= 5 x Lockingclip								
40006100	Folding unit D75-6 incl. Lockingclips				1	1	2	2	€ 693,38
40006000	Folding unit D75-3 incl. Lockingclips			1		1			€ 395,51
10100102	ASC Guardframe 75-2							2	€ 134,04
10203011	ASC Platform with trapdoor 190					1	1	2	€ 395,51
10302111	Horizontal brace 190	1	2	2	2	2	2	4	€ 85,64
10302011	Diagonal brace 190			1	1	2	3		€ 87,29
H90607830	Toeboardset 190x75 compl. (wood)		1	1	1	1	1	1	€ 173,76
10404022	Stabilisator 2 m ¹			2	2	2	2	2	€ 205,20
90609997	Lockingclip							4	€ 1,92
Totaal bruto:		€ 868,79	€ 954,43	€ 2.112,40	€ 2.497,56	€ 3.288,58	€ 3.673,74	€ 4.603,58	
Itemnum.		40005000	KMA1	KMA2	KMA3	KMA4	KMA5	KMA6	

¹⁾ For freestanding use, 4 stabilizers should be used.

** As a basis, it is advised to use toe boards on three sides of mobile scaffolds with a platform height of up to 1 meter.

A risk assessment may show that a set of toe boards is necessary for the user or the environment in a specific situation.



Spareparts A-line Folding Tower

Description	S	Itemnum.	Price	Kg	Dimensions
Folding Tower D75-6 ASC incl. platform with trapdoor	A	40005000	€ 868,79	34	18x100x197
Folding Tower D75-6 ASC incl. platform with trapdoor	A	40004900	€ 961,46	35	18x100x197
Folding Tower D75-6 FC pin compl. + platform without trapdoor	C	40005020	€ 918,44	34	18x100x197
Folding Tower D75-6 FC pin compl. + platform with trapdoor	C	40004920	€ 1.001,18	35	18x100x197
Folding unit D 75-3 PE cap incl. locking clips	A	40006000	€ 395,51	9,5	18x100x85
Folding unit D 75-3 ASC pin incl. locking clips	A	40006010	€ 577,54	10	18x100x90
Folding unit D 75-6 ASC pin incl. locking clips	A	40006100	€ 693,38	12	18x100x185

Folding Tower (90 cm wide)

Description	S	Itemnum.	Price	Kg	Dimensions
Folding Tower D90-6 ASC compl.+ platform without trapdoor	A	40005900	€ 1.073,99	34	18x100x197
Folding Tower D-90 with wide platform without trapdoor 190	B	40005901	€ 1.262,64	35	18x100x197
Folding Tower D-90 with wide platform with trapdoor 190	B	40005951	€ 1.348,69	35	18x100x197
Folding Tower D-90-6 with platform with trapdoor 190	A	40005950	€ 1.166,66	35	18x100x197
Folding Tower D-90-6 with platform without trapdoor	A	40005900	€ 1.073,99	35	18x100x197
Folding unit D 90-3 PE cap incl. locking clips	A	40006900	€ 537,82	9,5	18x100x85
Folding unit D 90-3 ASC pin incl. locking clips	A	8719998999174	€ 719,86	9,5	18x100x85
Folding unit D 90-6 ASC pin incl. locking clips	A	40006910	€ 743,02	12	18x100x185

Folding Tower (135 cm wide)

Description	S	Itemnum.	Price	Kg	Dimensions
Folding Tower D135-6 ASC compl. with 2x platform 190	A	40005300	€ 1.737,58	50	18x135x197
Folding Tower D135-6 FC compl. with 2 x platform without trapdoor190	C	40005320	€ 1.817,01	50	18x135x197
Folding unit D 135-3 sport incl. locking clips	A	40006203	€ 743,02	14	18x135x85
Folding unit D 135-6 sport incl. locking clips	A	40006206	€ 1.073,99	18	18x135x185

Telescopic Folding Tower (75 en 135 cm wide)

Description	S	Itemnum.	Price	Kg	Dimensions
Telescopic Folding Tower D75-6 190/250/305 unit	B	40005600	€ 1.117,02	25	18x100x197*
Telescopic Folding Tower D135-6 190/250/305 unit	B	40005800	€ 1.320,56	28	18x135x197 *
<i>* These prices are standard excl.platform. Platforms can be delivered extra at any size.</i>					

Folding Tower knick

Description	S	Itemnum.	Price	Kg	Dimensions
Folding Tower D75-6 ASC knick piece with platform 190 without trapdoor	B	40005199	€ 1.108,54	34	18x100x197
Folding Tower D75-6 ASC knick piece with platform 190 with trapdoor	B	40005200	€ 1.202,87	35	18x100x197
Folding Tower D135-6 ASC knick piece with 2x platform 190 without trapdoor	B	40005301	€ 1.980,01	18	18x135x197
Folding unit with knick piece D75-6 ASC pen incl. locking clips	B	40005100	€ 786,05	12	18x100x185

Garden Scaffold

Description	S	Itemnum.	Price
Set of handles	B	8719998999464	€ 169,99
Fixed undercarriage incl. rubber wheels	B	8719998999471	€ 326,93
Outrigger frame	B	8719998999488	€ 283,33
Set of rubber wheels (loose chassis)	B	8719998999495	€ 326,93
Loose Outrigger	B	8719998999501	€ 283,33

List of components Folding Tower Euro (shiny)

Kamersteiger 75 smal

Description	S	Itemnum.	Price	Kg	Dimensions
Folding Tower G75-6 Euro incl. platform without trapdoor 190	C	50005041	€ 1.007,80	34	18x100x197
Folding Tower G75-6 Euro incl. platform with trapdoor 190	C	50004941	€ 1.075,64	35	18x100x197
Folding Tower G75-6 ASC pin incl. platform without trapdoor 190	C	50005040	€ 1.007,80	34	18x100x197
Folding Tower G75-6 ASC pin incl. platform with trapdoor 190	C	50004940	€ 1.075,64	35	18x100x197
Folding Tower G75-6 FC pin incl. platform without trapdoor 190	C	50005043	€ 1.007,80	34	18x100x197
Folding Tower G75-6 FC pin incl. platform with trapdoor 190	C	50004943	€ 1.075,64	35	18x100x197
Folding unit G75-3 PE cap for Euro & ASC pin	C	50006000	€ 620,56	9,5	18x100x85
Folding unit G75-6 Euro pin	C	50006100	€ 703,31	12	18x100x185
Folding unit G75-6 ASC pin	C	50006140	€ 703,31	12	18x100x185

Folding Tower 90 (90 cm width)

Description	S	Itemnum.	Price	Kg	Dimensions
Folding Tower G90-6 Euro incl. platform without trapdoor 190	C	50005941	€ 1.155,07	34	18x100x197
Folding unit G90-3 PE cap incl. locking clips	C	50006900	€ 658,63	9,5	18x100x85
Folding unit G90-6 incl. locking clips	C	50006910	€ 786,05	12	18x100x185

Folding Tower 135 (135 cm width)

Description	S	Itemnum.	Price	Kg	Dimensions
Folding Tower G135-6 Euro pin complete with 2 x platform 190	C	50005341	€ 1.982,49	50	18x135x197
Folding Tower G135-6 ASC pin complete with 2 x platform 190	C	50005340	€ 1.982,49	50	18x135x197
Folding Tower G135-6 FC pin complete with 2 x platform 190	C	50005343	€ 1.982,49	50	18x135x197
Folding unit G135-3 sport	C	50006203	€ 989,58	14	18x135x85

Telescopic Folding Tower (75 en 135 cm width)

Description	S	Itemnum.	Price	Kg	Dimensions
Telescopic Folding Tower G75-6 190/250/305 unit with wheels*	C	50005600	€ 1.155,07	25	18x100x197*
Telescopic Folding Tower G135-6 190/250/305 unit with wheels*	C	50005800	€ 1.486,04	28	18x135x197*

* Deze prijzen zijn exclusief platform

Folding unit G 75-6 Euro pen (with knickpeace)

Description	S	Itemnum.	Price	Kg	Dimensions
Folding unit G75-6 Euro pin (with knickpeace)	C	990609638	€ 795,98	12	18x100x197

XS-Tower

XS - Tower 6 meter working height

Description	V	Itemnumber	Price	Price Total	Quantity
Frame 75-28-4	A	990609325	223,40	€ 2.234,00	10
Platform with trapdoor 1,2 m	A	990609326	494,80	€ 989,60	2
Double horizontal brace 1,2 m	A	990609327	256,51	€ 1.795,55	7
Set of toeboards alu hinged	A	990609328	372,33	€ 372,33	1
Stabilizer	A	990609329	246,57	€ 986,30	4
Wheel 125 mm adjustable in height	A	910000012	132,38	€ 529,52	4
Locking clip	A	90609997	1,91	€ 30,51	16
Set price				€ 6.139,45	
Itemnumber set					990609251

XSS - Tower 8 meter working height

Description	V	Itemnumber	Price	Price Total	Quantity
Frame 75-28-4	A	990609325	223,40	€ 3.127,61	14
Platform with trapdoor 1,2 m	A	990609326	494,80	€ 1.484,39	3
Double horizontal brace 1,2 m	A	990609327	256,51	€ 2.565,07	10
Set of toeboards alu hinged	A	990609328	372,33	€ 372,33	1
Stabilizer	A	990609329	246,57	€ 986,30	4
Wheel 125 mm adjustable in height	A	910000012	132,38	€ 529,52	4
Locking clip	A	90609997	1,91	€ 45,77	24
Set price				€ 8.274,19	
Itemnumber set					990609397

XS Tower Trapvariant (Excl. Tower)

Description	V	Quantity
Frame 75-200	B	1
XS-Tower frame 75-28-4	A	1
XS-Tower Double horizontal	A	1
Steel spindle with plate 800 mm	A	4
Special diagonal with 2 coupling	B	1
Set price		€ 1.977,53
Itemnumber set		XS-TR1



XS-Tower
Artikel nr.: 990609251

List of components Stairway Tower

Basic module 135

- * With a workfloor of 60 cm wide
- * With double horizontal brace with hinge frame
- * Provided positioned against a solid wall
- * During freestanding use 4 stabilisers are required from 4,2 m platform height
- * Anchorage is mandatory from 6,20 m platform height

Workingheight	4,3	6,3	8,3	10,3	12,3	14,3
Platformheight	2,3	4,3	6,3	8,3	10,3	12,3
Description						
ASC Frame 135-28-7	2	4	6	8	10	12
ASC Frame 135-28-4	2	2	2	2	2	2
Platform without trapdoor	1	2	2	3	4	4
Platform with trapdoor			1	1	1	2
ASC stairway	1	2	3	4	5	6
Double horizontal brace with folding frame	1	1	1	1	1	1
ASC stairway double Railing	1	2	3	4	5	6
ASC Stirrup	1	1	1	1	1	1
Set of toeboards basic	1	1	1	1	1	1
Wheel + Steel spindle nylon 375 kg	4	4	4			
Wheel + Alu spindle nylon 800 kg				4	4	4
ASC Diagonal brace	2	4	6	8	10	12
ASC Horizontal brace	3	5	7	9	11	13
Locking clip	4	8	12	16	20	24
Stabilizer 200 cm		2	2			
Stabilizer 300 cm				2	2	2
Price 190 cm	€ 4.521,69	€ 7.521,25	€ 10.196,46	€ 13.205,84	€ 15.795,00	€ 18.470,21
Itemnumber	8719998054415	8719998054422	8719998054439	8719998054446	8719998054453	8719998054460
Price 250 cm	€ 4.746,77	€ 7.878,72	€ 10.661,49	€ 13.803,26	€ 16.524,81	€ 19.307,59
Itemnumber	8719998054477	8719998054484	8719998054491	8719998054507	8719998054514	8719998054521
Price 305 cm	€ 5.060,21	€ 8.331,16	€ 11.277,77	€ 14.558,54	€ 17.419,10	€ 20.365,70
Itemnumber	8719998054538	8719998054545	8719998054552	8719998054569	8719998054576	8719998054583

Deluxe module 135

- * With a workfloor of 120 cm wide
- * Provided positioned against a solid wall
- * During freestanding use 4 stabilisers are required from 4.2 m platform height
- * Anchorage is mandatory from 6,20 m platform height.

Workingheight	4,3	6,3	8,3	10,3	12,3	14,3
Platformheight	2,3	4,3	6,3	8,3	10,3	12,3
Description						
ASC Frame 135-28-7	1	3	5	7	9	11
Sidewayframe 135 for stairway tower	1	1	1	1	1	1
ASC Frame 135-28-4	2	2	2	2	2	2
Platform without trapdoor	1	2	2	3	4	4
Platform with trapdoor			1	1	1	2
Platform with big trapdoor	1	1	1	1	1	1
ASC stairway	1	2	3	4	5	6
ASC Stairway railing inside	1	2	3	4	5	6
ASC stairway railing double 2.0	1	2	3	4	5	6
ASC stirrup	1	1	1	1	1	1
set of toeboards wood incl. holders	1	1	1	1	1	1
Wheel + Alu spindle nylon 800 kg	4	4	4	4	4	4
ASC Diagonal brace	2	4	6	8	10	12
ASC Horizontal brace	5	7	9	11	13	15
Locking clip	4	8	12	16	20	24
Stabilizer 200		2	2	2		
Stabilizer 300					2	2
Price 190 cm	€ 5.900,60	€ 9.350,95	€ 12.405,12	€ 15.373,24	€ 18.377,76	€ 21.431,93
Itemnumber	990609196	990609197	990609198	990609199	990609200	990609201
Price 250 cm	€ 6.136,58	€ 9.720,32	€ 12.882,06	€ 15.982,56	€ 19.119,47	€ 22.281,20
Itemnumber	990609181	990609182	990609183	990609184	990609185	990609186
Price 305 cm	€ 6.371,56	€ 10.094,30	€ 13.419,87	€ 16.659,38	€ 19.935,29	€ 23.260,85
Itemnumber	990609202	990609203	990609204	990609205	990609206	990609207

Spareparts Staircase tower

Stairways

Description	S	Itemnumber	Price	Kg
Stairway Alu professional 190	B	70908499	€ 776,12	24
Stairway Alu professional 250	A	70908500	€ 921,07	25
Stairway Alu professional 305	A	70908513	€ 1.069,77	26
Side Walkthroughframe 135 for Stairway Tower	A	10101207	€ 660,28	10
Guardrail stairway 190 inside	B	990609213	€ 378,96	3
Guardrail stairway 250/305 inside	A	990609560	€ 378,96	3
Guardrail outside 190 double	B	990609208	€ 412,04	4,8
Guardrail outside 250 double	A	70918500	€ 428,60	5
Guardrail outside 305 double	A	70918623	€ 461,69	5,5
Guardrail stairway 190 outside single 2.0	B	8719998994506	€ 227,32	3
Guardrail stairway 250 outside single 2.0	B	8719998994520	€ 239,76	4
Guardrail stairway 305 outside single 2.0	B	8719998994544	€ 257,83	5
Guardrail stairway 190 outside double 2.0	B	8719998994490	€ 412,05	4,8
Guardrail stairway 250 outside double 2.0	B	8719998994513	€ 428,60	5
Guardrail stairway 305 outside double 2.0	B	8719998994537	€ 461,69	5,5
Platform with big trapdoor 190 for stairway	B	8719998999686	€ 770,45	14
Platform with big trapdoor 250 for stairway	A	990609269	€ 816,22	17
Platform with big trapdoor 305 for stairway	A	990609585	€ 898,61	20
Double horizontal brace 190 with foldable frame	B	990609177	€ 562,65	4,7
Double horizontal brace 250 with foldable frame	A	910000124	€ 645,39	6
Double horizontal brace 305 with foldable frame	A	990609176	€ 810,87	7,3
Set of toeboards basic 75x190	A	8719998052916	€ 173,74	8
Set of toeboards basic 75x250	A	8719998052961	€ 180,38	11
Set of toeboards basic 75x305	A	8719998052978	€ 187,69	12
ASC stirrup	A	990608918	€ 213,47	1,8

ASC Facade Scaffold

Description	S	Itemnumber	Price
Facade frame 90-200 walkthrough frame	B	GV1001	€ 327,65
Facade 90 walkthrough guardrail	B	GV1002	€ 196,92
Facade 90 front guardrail frame	B	GV1003	€ 196,92
Facade 90 edge platform	B	GV1006	€ 279,67
Facade 90 ladder for base	B	GV1008	€ 329,31
Facade 90 ladder frame	B	GV1004	€ 279,66
Facade 90 guardrail frame corner bracket	B	GV1005	€ 213,47
Facade 90 base walkthroug frame 190	B	GV1009	€ 1.237,82
Facade 90 base walkthroug frame250	B	GV1007	€ 1.320,56
Facade 90 base walkthroug frame 305	B	GV1010	€ 1.486,04
Facade frame 75-200 sports75-200 walkthrough	A	GV0001	€ 273,05
Facade frame75-200 8-sp.	A	GV0002	€ 362,41
Facade frame 75-100 3-sp. front guardrail	A	GV0003	€ 180,38
Facade frame 75-100 5-sp.	A	GV0004	€ 230,02
Facade frame 75 adjustable front guardrail	A	GV0005	€ 196,92
Facade frame 75-100 walkthrough shackle	A	GV0006	€ 180,38
Facade frame 75-280 walkthrough	A	GV0015	€ 428,60
Post for shelter Facade Scaffold fixed 50 degrees ex. 2 steel couplings	A	GV0007	€ 329,31
Post for shelter Facade Scaffold adjustable ex. 2 steel couplings. All posts for shelters are provided with telescopic tube for adjustment of the canvas.	B	GV0008	€ 521,27
Facade Scaffold locking clips	A	GV0009	€ 3,55
Facade Scaffold ladder with RVS hooks	A	GV0010	€ 338,37
Steel coupling 51/51 with winged nut M14	A	GV0011	€ 38,89
Facade anchorage steel incl. 1 coupling	A	GV0013	€ 114,18
Steel spindle with tube	A	GV0014	€ 61,24

The maximum load on the Facade Scaffold is 150 kg p/m2 per platform
 Maximum platform height= 18 m (platform height calculated from a solid base)

Facade Scaffold 10 m

Description	Aantal	Itemnumber	Price p/p	Price
Facade frame 75-200 walkthrough frame	12	GV0001	€ 273,05	€ 3.276,58
Facade frame 75-200-8 sp.	8	GV0002	€ 362,41	€ 2.899,25
Facade frame 75-100-3 guardrail	2	GV0003	€ 180,37	€ 360,75
Facade frame 75-100 walkthrough bracket	3	GV0006	€ 180,37	€ 541,12
Facade Scaffold locking clips	42	GV0009	€ 3,55	€ 149,22
Facade anchor steel incl 1 steel turn coupling	8	GV0013	€ 114,18	€ 913,45
Steel base spindle with tube	10	GV0014	€ 61,24	€ 612,35
Horizontal brace 250	40	10302112	€ 88,95	€ 3.557,90
Diagonal brace 250	16	10302012	€ 90,61	€ 1.449,69
Platform with trapdoor 250	8	10203012	€ 473,29	€ 3.786,30
Platform without trapdoor 250	8	10203112	€ 412,05	€ 3.296,41
Loose toeboard 75	2	H90607840	€ 33,10	€ 66,19
Loose toeboard 250	8	H90607843	€ 49,65	€ 397,16
Toeboardholder	10	90608200	€ 14,07	€ 140,69
Price 10 mtr x 10 mtr Working height				€ 21.447,07
Item number set				gevel10x10wh25

Renovation Scaffold

Description	S	Itemnum.	Price	Kg	Dimensions
Renovation frame	D	70920000	€ 869,62	13	135x300x5
Shelter post renovation frame fixed	C	70934000	€ 310,28	2,3	200x40x5
Telescopic tube for renovation frame	C	990609605	€ 135,78		

*Als optie uit te voeren met de ASC Uni-tent staander pag. 32

Platform without trapdoor 250 ASC	A	10203112	€ 412,05	16,5	255x60x6
Platform without trapdoor 305 ASC	A	10203113	€ 463,35	20	305x60x6
Double guardrail brace 250 ASC	A	10302212	€ 296,22	5,5	255x50x5x6
Double guardrail brace 305 ASC	A	10302213	€ 312,76	6	305x50x5
Horizontal brace 250 dull	A	10302112	€ 88,95	2,3	255x5x5
Horizontal brace 305 dull	A	10302113	€ 90,60	2,7	305x5x5
Diagonal brace 250 dull	A	10302012	€ 90,60	2,4	280x5x5
Diagonal brace 305 dull	A	10302013	€ 92,27	2,8	320x5x5
Spindle with base plate aluminium	A	90506900	€ 130,73	2,4	20x20x40
Steel Spindle standard with plastic sleeve and plug	A	990608880	€ 99,29	3,8	20x20x40

Renovation Scaffold - Example list of components per section 250

Description	Quantity	Price a piece	Price
Renovation frame	2	€ 869,62	€ 1.581,12
Platform without trapdoor 250 ASC	2	€ 412,05	€ 749,19
Double guardrail brace ASC	1	€ 296,22	€ 269,29
Horizontal brace 250 dull	1	€ 88,95	€ 80,86
Diagonal brace 250 dull	2	€ 90,60	€ 164,73
Spindle + base plate steel	4	€ 99,29	€ 361,06
Set price:			€ 3.526,86



● Renovation Scaffold

Staircase Scaffold

Description	Quantity	v	Itemnum.	Price p/p	Price
Staircase Scaffold walkthroughframe 75-200	1	B	990609240	€ 478,25	€ 478,25
Staircase scaffold 75-28-1	1	B	990609241	€ 163,83	€ 163,83
Staircase scaffold 75-28-2	1	B	990609242	€ 312,76	€ 312,76
ASC Guardrail frame 75-50-2	2	A	10100102	€ 134,05	€ 268,08
ASC Platform with trapdoor 190	1	A	10203011	€ 395,51	€ 395,51
ASC Horizontal brace 190	2	A	10302111	€ 85,63	€ 171,26
ASC Double horizontal brace 190	1	A	10302211	€ 256,50	€ 256,50
Short adjustable leg	2	B	990609243	€ 163,83	€ 327,66
Long telescopic leg	2	B	990609244	€ 130,73	€ 261,46
ASC hinged set of toeboards Alu 75	1	A	90608830	€ 312,76	€ 312,76
Wall bracket with cross coupling	1	B	990609245	€ 388,89	€ 388,89
ASC Diagonal brace with couplings	1	B	990609246	€ 296,22	€ 296,22
Locking clip	8	A	90609997	€ 1,90	€ 15,29
Price 190 cm					€ 3.648,47
Itemnumber set 190					70802190



Staircase Scaffold
Item nr.: 70802190

Basic Carrier

Description	S	Itemnumber	Price
Basic Carrier trailer	A	70100011	€ 3.252,94
Basic Carrier box for 2 wheels	A	70100012	€ 194,84
Basic Carrier spare wheel	A	70100013	€ 203,31
Basic Carrier front wheel	A	990609008	€ 93,18
Basic Carrier mudgard	A	990609117	€ 93,18
Basic Carrier bended plate	A	990609178	€ 132,15
Basic Carrier between tubes	A	990609179	€ 81,32
Basic posts	A	990609180	€ 465,92
Basic Carrier drawbar lock	A	8719998994360	€ 54,67

X Carrier

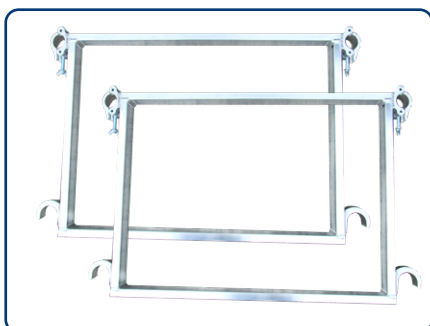
Description	S	Itemnumber	Price
X Carrier lockable trailer 250	A	990609299	€ 4.913,29
X Carrier lockable trailer 305	A	990609307	€ 5.302,97
X Carrier transport bracket for AGS System	B	8719998053074	€ 429,54
X Carrier transport bracket for AGS System mounted	B	8719998053081	€ 577,93

Forklift platform

Description	S	Itemnumber	Price
Forklift platform	A	70100003	€ 2.030,56

Transport Frame

Description	S	Itemnumber	Price
Transport Frame (set of 2)	B	990609688-1	€ 263,97



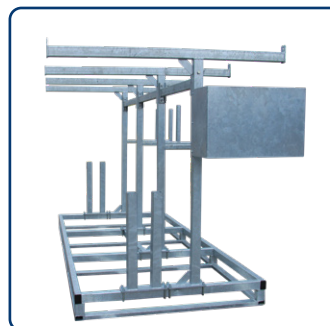
● **Transport frame**
Item nr.: 990609688-1



● **X Carrier**
Item nr.: 990609299



● **Basic Carrier**
Item nr.: 70100011



● **Forklift platform**
Item nr.: 70100003

Shelters

Description	S	Itemnum.	Price	Kg	Dimensions
Post for gutter shelter p/p	B	70890000	€ 703,31	11	400x5x5
Working frame	C	8719998999990	€ 410,55		

Aluminium canvasframe ASC 75 p/p	A	70810015	€ 378,96	3,5	75x30x5
Aluminium canvasframe ASC 135 p/p	A	70810016	€ 395,51	4,5	135x100x5
Aluminium canvasframe Euro 75 p/p	C	70810115	€ 395,51	3,5	75x30x5
Aluminium canvasframe Euro 135 p/p	C	70810116	€ 412,05	4,5	135x100x5

Canvas W 190 x L 400 cm	A	ZL0001	€ 289,60	2,2	190x400
Canvas W 250 x L 400 cm	A	ZL0002	€ 309,45	2,7	250x400
Canvas W 305 x L 400 cm	A	ZL0003	€ 330,97	3,4	305x400
Canvas W 400 x L 400 cm	A	ZL0004	€ 392,20	4,2	400x400
Canvas - front canvas 135	A	ZL0005	€ 496,45	3,6	135x250
Canvas - front canvas - post for gutter	A	ZL0006	€ 496,45	3,6	85x250

Post for ASC uni-shelter p/p	A	70934200	€ 386,16	6,5	210x20x8
Set ASC uni-shelter 190 (2x stndr.3x hs190 1x canvas 190x400 4x coupling)	A	70934190	€ 1.012,76	24	210x20x20
Set ASC uni-shelter 250 (2x stndr.3x hs250 1x canvas 250x400 4x coupling)	A	70934250	€ 1.067,37	25,5	250x20x20
Set ASC uni-shelter 305 (2x stndr.3x hs305 1x canvas 305x400 4x coupling)	A	70934305	€ 1.232,85	27	300x20x20



ASC Canvasframe 135:

Canvasframe comes in the sizes 75 and 135.



ASC Post for Gutter:

The ASC post for gutter offers the solution if you want to keep your work area dry.



ASC Uni Shelter:

Offers the solution of a universal roof for each type and brand of scaffolding.



Item nr.: 8719998999990

Spareparts Roof Scaffold

Roof Scaffold UNI

Description	S	Itemnumber	Price
Roof Scaffold uni complete 190	A	8719998051667	€ 3.398,62
Roof Scaffold uni complete 250	A	8719998051674	€ 3.494,61
Roof Scaffold uni complete 305	A	8719998051681	€ 3.554,38

Description	S	Itemnumber	Price
Roof Scaffold uni ridge bracket	A	990609247	€ 196,92
Roof Scaffold uni frame carrier	A	990609248	€ 147,28
Roof Scaffold uni platform console	A	990609249	€ 329,31
Roof Scaffold uni frame 75-28-7	A	990609250	€ 246,57

Roof Scaffold Uni:



Item nr.: 8719998051667

Description	S	Itemnumber	Single sided	Double sided	Price
Ridge bracket	C	70801100	2	2	€ 637,11
Ridge bracket with wheels (optional)	C	70801101	(2)	(2)	€ 868,79
Foot beam- pedestal incl. 2 swivelcouplings	C	70801200	2	4	€ 438,53
Center beam (140 cm)	C	70801300	2	4	€ 82,74
Top beam (225 cm)	C	70801400	2	4	€ 173,76
Cap for Roof Scaffold adjustable	C	70801600	2	4	€ 165,48

ASC Guardrail frame 75-2	A	10100102	2	4	€ 134,04
--------------------------	---	----------	---	---	----------

Double guardrail brace 190	A	10302211	1	2	€ 256,50
Double guardrail brace 250	A	10302212			€ 296,22
Double guardrail brace 305	A	10302213			€ 312,76
Double guardrail brace 400	B	10302214			€ 388,89

ASC Platform without trapdoor 190	A	10203111	1	2	€ 309,45
ASC Platform without trapdoor 250	A	10203112			€ 412,05
ASC Platform without trapdoor 305	A	10203113			€ 463,35
EURO Platform without trapdoor 400	B	20203314			€ 569,26

Locking clip	A	90609997	12	24	€ 1,90
--------------	---	----------	----	----	--------

Set of toeboards 190x75 wooden	A	H90607830	1	2	€ 173,76
Set of toeboards 250x75 wooden	A	H90607831			€ 180,38
Set of toeboards 305x75 wooden	A	H90607832			€ 196,93
Set of toeboards 400x75 wooden	A	90607833			€ 364,06

Set price length 1,9 m	10203112C	€ 4.025,89	€ 6.777,56	10203116C
Set price length 2,5 m	10203113C	€ 4.174,83	€ 7.075,43	10203117C
Set price length 3,05 m	10203114C	€ 4.259,22	€ 7.244,22	10203118C
Set price length 4,0 m	10203115C	€ 4.608,39	€ 7.942,56	10203119C

Longer lengths till 8m are possible by using alu stages

Item nr.: 10203112C



Description	S	Itemnum.	Price
Layco 150-8	C	60100208	€ 445,15
Layco 150-4	C	60100204	€ 289,60
Layco 150-2	C	60100202	€ 200,24
Layco 145-8 walkthrough frame left/right	C	60100708	€ 658,63
Layco 145-8 walkthrough frame center	C	60100808	€ 703,31
Layco 75-8	C	60100108	€ 412,05
Layco 75-4	C	60100104	€ 246,57
Layco 75-2	C	60100102	€ 172,10
Layco horizontal brace 285	C	60302117	€ 114,18
Layco diagonal brace 285	C	60302017	€ 124,11
Layco dubbele horizontaal schoor 285	C	60302217	€ 312,76
Layco platform without trapdoor 285	C	60203317	€ 516,31
Layco platform with trapdoor 285	C	60203217	€ 604,02
Layco set of toeboeds 150 x 285 wood	C	910000020	€ 206,86
Layco wheel 200 mm	C	60100110	€ 165,48

Spareparts ASC Custmade

Description	S	Itemnum.	Price
Cust-made 140-8	C	70880208	€ 412,05
Cust-made 140-4	C	70880204	€ 273,05
Cust-made 140-2	C	70880202	€ 182,03
Cust-made 75-8	C	70880108	€ 362,41
Cust-made 75-4	C	70880104	€ 246,57
Cust-made 75-2	C	70880102	€ 163,83
Cust-made horizontal brace 180	C	70882111	€ 91,02
Cust-made horizontal brace 250	C	70882112	€ 94,33
Cust-made horizontal brace 300	C	70882113	€ 95,98
Cust-made diagonal brace 180	C	70882011	€ 92,67
Cust-made diagonal brace 250	C	70882012	€ 95,98
Cust-made diagonal brace 300	C	70882013	€ 97,63



Layco Claw



Custmade frame
Item nr.: 70880208

Spareparts Carbon Mobile Tower

Description	S	Itemnum.	Price
Unitec Frame 75-3	B	8719998984828	€ 685,95
Unitec Frame 75-4 (1,10 m)	B	8719998984835	€ 733,81
Unitec Frame 75-5 (1,40 m)	B	8719998987842	€ 893,33
Unitec Frame 75-6 (1,70 m)	B	8719998984859	€ 1.052,86
Unitec Frame 75-7 (2,00 m)	B	8719998984866	€ 1.212,38
Unitec basic frame 75-7 (2,00 m)	B	8719998984873	€ 1.630,33
Unitec Frame 135-3	B	8719998984767	€ 765,71
Unitec Frame 135-4 (1,10 m)	B	8719998984774	€ 851,86
Unitec Frame 135-5 (1,40 m)	B	8719998984781	€ 1.036,90
Unitec Frame 135-6 (1,70 m)	B	8719998984798	€ 1.209,19
Unitec Frame 135-7 (2,00 m)	B	8719998984804	€ 1.394,24
Unitec basic frame 135-7 (2,00 m)	B	8719998984811	€ 1.738,81
Unitec Horizontal 190	B	8719998984743	€ 216,95
Unitec Horizontal 250	B	8719998984750	€ 245,67
Unitec Diagonal 190	B	8719998984729	€ 226,52
Unitec Diagonal 250	B	8719998984736	€ 255,24
Unitec Double Horizontal 190	B	8719998984705	€ 807,19
Unitec Double Horizontal 250	B	8719998984712	€ 855,05
Unitec Tele-stabilizer 150-230	B	8719998984682	€ 749,76
Unitec Tele-stabilizer 210-290	B	8719998984699	€ 861,43
Unitec Platform without trapdoor 190	B	8719998984668	€ 1.330,43
Unitec Platform without trapdoor 250	B	8719998984675	€ 1.553,76
Unitec Platform with trapdoor 190	B	8719998984644	€ 1.582,48
Unitec Platform with trapdoor 250	B	8719998984651	€ 1.815,38
Unitec/Prosafe locking clip short	B	8719998984880	€ 46,26
Unitec/Prosafe locking clip long	B	8719998984897	€ 49,45

Description	S	Itemnum.	Price
Prosafe Frame 85-2 (1,00 m)	B	8719998985115	€ 521,43
Prosafe Frame 85-3 (1,50 m)	B	8719998985122	€ 635,71
Prosafe Frame 85-4 (2,00 m)	B	8719998985139	€ 752,38
Prosafe Frame 85-2 (1,00 m) + ladder	B	8719998985085	€ 669,05
Prosafe Frame 85-3 (1,50 m) + ladder	B	8719998985092	€ 861,90
Prosafe Frame 85-4 (2,00 m) + ladder	B	8719998985108	€ 1.023,81
Prosafe Frame 145-2 (1,00 m)	B	8719998985054	€ 533,33
Prosafe Frame 145-3 (1,50 m)	B	8719998985061	€ 666,67
Prosafe Frame 145-4 (2,00 m)	B	8719998985078	€ 800,00
Prosafe Frame 145-2 (1,00 m) + ladder	B	8719998985023	€ 688,10
Prosafe Frame 145-3 (1,50 m) + ladder	B	8719998985030	€ 916,67
Prosafe Frame 145-4 (2,00 m) + ladder	B	8719998985047	€ 1.100,00
Prosafe Horizontal 190	B	8719998985009	€ 150,00
Prosafe Horizontal 250	B	8719998985016	€ 171,43
Prosafe Diagonal 190	B	8719998984989	€ 161,90
Prosafe Diagonal 250	B	8719998984996	€ 183,33
Prosafe Double Horizontal 190	B	8719998984965	€ 497,62
Prosafe Double Horizontal 250	B	8719998984972	€ 535,71
Prosafe Tele-stabilizer 150-230	B	8719998984941	€ 654,76
Prosafe Tele-stabilizer 210-290	B	8719998984958	€ 680,95
Prosafe Platform 190 without trapdoor	B	8719998984927	€ 992,86
Prosafe Platform 250 without trapdoor	B	8719998984934	€ 1.159,52
Prosafe Platform 190 with trapdoor	B	8719998984903	€ 1.180,95
Prosafe Platform 250 with trapdoor	B	8719998984910	€ 1.354,76

ASC Stages

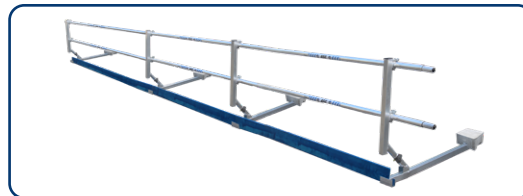
Description	S	Itemnum.	Price	Length	Weight
Alu Stages 3000 2.0	B	8719998993868	€ 736,40	3 m	27 kg
Alu Stages 4000 2.0	B	8719998993851	€ 893,61	4 m	36 kg
Alu Stages 5000 2.0	B	8719998993844	€ 1.067,37	5 m	45 kg
Alu Stages 6000 2.0	B	8719998993837	€ 1.290,77	6 m	54 kg
Alu Stages 7000 2.0	B	8719998993820	€ 1.563,82	7 m	63 kg
Alu Stages 8000 2.0	B	8719998993813	€ 1.778,95	8 m	72 kg

Alu Stages 3000 2.0 Guardrail incl. holders	B	8719998993691	€ 322,69	3 m	7,5 kg
Alu Stages 4000 2.0 Guardrail incl. holders	B	8719998993707	€ 430,26	4 m	8,6 kg
Alu Stages 5000 2.0 Guardrail incl. holders	B	8719998993714	€ 521,27	5 m	9,9 kg
Alu Stages 6000 2.0 Guardrail incl. holders	B	8719998993721	€ 587,47	6 m	11,2 kg
Alu Stages 7000 2.0 Guardrail incl. holders	B	8719998993738	€ 843,97	7 m	12,9 kg
Alu Stages 8000 2.0 Guardrail incl. holders	B	8719998993745	€ 918,44	8 m	14,2 kg

Alu Stage 2400 4x hook circular screwed	B	8719998993660	€ 230,01		
---	---	---------------	----------	--	--



Roof Edge Protection



Description	Itemnr.:	Price
Roof edge protection guardrail socket foldable	70797500	€ 312,76
Roof edge protection guardrail slanted roof	70797450	€ 403,78
Roof edge protection edge bracket 50x50 cm	70797600	€ 97,64
Roof edge protection guardrail p/3 m length	70797723	€ 86,05
Roof edge protection concrete block 22,5 kg	70797800	€ 91,02
Locking clip	90609997	€ 1,90
ASC Wooden toe board length 3 m*	H90607844	€ 57,91

* Eventueel kan de dakrandbeveiliging verder aangevuld worden met kantplanken

Roof edge protection foldable	3 m	6 m	9m	12 m	15 m	18 m	21 m	24 m	27 m
Roof edge protection guardrail socket	2	3	4	5	6	7	8	9	10
Roof edge protection guardrail p/3 m length	2	4	6	8	10	12	14	16	18
Roof edge protection concrete block 22,5 kg	2	3	4	5	6	7	8	9	10
Locking clip	2	4	6	8	10	12	14	16	18
Total Price	€ 983,47	€ 1.563,16	€ 2.142,85	€ 2.722,54	€ 3.302,23	€ 3.881,92	€ 4.461,61	€ 5.041,30	€ 5.620,99
Itemnumber	DKO3	DKO6	DKO9	DKO12	DKO15	DKO18	DKO21	DKO24	DKO27

Roof edge protection foldable	30 m	33 m	36 m	39 m	42 m	45 m	48 m	51 m	54 m
Roof edge protection guardrail socket	11	12	13	14	15	16	17	18	19
Roof edge protection guardrail p/3 m length	20	22	24	26	28	30	32	34	36
Roof edge protection concrete block 22,5 kg	11	12	13	14	15	16	17	18	19
Locking clip	20	22	24	26	28	30	32	34	36
Total Price	€ 6.200,68	€ 6.780,37	€ 7.360,06	€ 7.939,75	€ 8.519,44	€ 9.099,13	€ 9.678,82	€ 10.258,51	€ 10.838,20
Itemnumber	DKO30	DKO33	DKO36	DKO39	DKO42	DKO45	DKO48	DKO51	DKO54

Roof edge protection slanted roof	3 m	6 m	9m	12 m	15 m	18 m	21 m	24 m	27 m
Roof edge protection guardrail slanted	2	3	4	5	6	7	8	9	10
Roof edge protection guardrail p/3 m length	2	4	6	8	10	12	14	16	18
Locking clip	2	4	6	8	10	12	14	16	18
Total Price	€ 983,47	€ 1.563,16	€ 2.142,85	€ 2.722,54	€ 3.302,23	€ 3.881,92	€ 4.461,61	€ 5.041,30	€ 5.620,99
Itemnumber	DKS3	DKS6	DKS9	DKS12	DKS15	DKS18	DKS21	DKS24	DKS27

Roof edge protection slanted roof	30 m	33 m	36 m	39 m	42 m	45 m	48 m	51 m	54 m
Roof edge protection guardrail slanted	11	12	13	14	15	16	17	18	19
Roof edge protection guardrail p/3 m length	20	22	24	26	28	30	32	34	36
Locking clip	20	22	24	26	28	30	32	34	36
Total Price	€ 6.200,68	€ 6.780,37	€ 7.360,06	€ 7.939,75	€ 8.519,44	€ 9.099,13	€ 9.678,82	€ 10.258,51	€ 10.838,20
Itemnumber	DKS30	DKS33	DKS36	DKS39	DKS42	DKS45	DKS48	DKS51	DKS54

Roof Edge Protection Class C

Roof Edge Protection Class C	Itemnr.:	Price
Roof edge Protection 2.0 staander schuindak	8719998993103	€ 403,78
Roof edge Protection 2.0 frame 2 m	8719998993097	€ 274,62
Roof edge Protection 2.0 frame 3 m	8719998993080	€ 305,14
Roof edge Protection 2.0 net with Toeboard 3 m	8719998993066	€ 341,74
Roof edge Protection 2.0 net with Toeboard 2 m	8719998993073	€ 305,14



Roof Edge Protection Class C

Small numbers in stock. Large numbers on request.

Aluminium Workplatform

Itemnum.	Werkvloer lengte in meter Workplatform length in m	kg	Bruto prijs per stuk	4		5		6		7		8				
				4	5	6	4	5	6	4	5	6	4	5	6	
70731000	Work mast with winch 4 m	20	€ 1.034,27	2												
70731001	Work mast with winch 5 m	23	€ 1.249,40		2						2					
70731002	Work mast with winch 6 m	26	€ 1.464,53			2						2				
70732001	Mast stabilizer telescopic	4,5	€ 296,22	2	2	2	2	2	2	2	2	2	2			
70732002	Stage carrier fot angled mast	11	€ 744,68	2	2	2	2	2	2	2	2	2	2			
70732004	Stage carrier fot straight mast	11	€ 951,53	2	2	2	2	2	2	2	2	2	2			
70700024	Stage alu 4 m	36	€ 893,61	1	1	1										
70700025	Stage alu 5 m	45	€ 1.067,37													
70700026	Stage alu 6 m	54	€ 1.290,77													
70700027	Stage alu 7 m	63	€ 1.563,82													
70700028	Stage alu 8 m	72	€ 1.778,95													
70710024	Guardrail 4 m 2 posts, incl.holders	8,6	€ 430,26	1	1	1										
70710025	Guardrail 5 m 3 posts, incl.holders	9,9	€ 521,27													
70710026	Guardrail 6 m 3 posts, incl.holders	11,2	€ 587,47													
70710027	Guardrail 7 m 4 posts, incl.holders	12,9	€ 843,97													
70710028	Guardrail 8 m 3 posts, incl.holders	14,2	€ 918,44													
70720000	Front guardrail fixed p/p	1,5	€ 206,85	2	2	2	2	2	2	2	2	2	2			
76150099	Optional: front guardrail collapsible	2	€ 306,15	2	2	2	2	2	2	2	2	2	2			
Set price angled Work Platform complete				5.888	6.318	6.748	6.153	6.583	7.013	7.303	7.402	7.832	7.261	7.692	8.122	
Itemnumber				WK001	WK002	WK003	WK007	WK008	WK009	WK015	WK020	WK021	WK025	WK026	WK027	
Set price straight Work Platform complete				6.302	6.732	7.162	6.566	6.997	7.427	7.717	8.246	7.816	8.246	7.675	8.105	8.536
Itemnumber				WK004	WK005	WK006	WK010	WK011	WK012	WK018	WK023	WK024	WK028	WK029	WK030	

* working height is 30 cm lower because the angle of the masts

Options

Itemnum.	Description	Price	Quanti typ/se t
70731007	Extension piece 0,7 m	€ 213	2
70731010	Extension piece 1 m	€ 290	2
70731020	Extension piece 2 m. Only for use in mast 4 m	€ 488	2
70730000	Hooks stage mounted set 4/pcs. For use between 2 mobile towers	€ 230	1
70730001	Guardrailholder loose	€ 58	
70732003	Stage carrier for triangle bridge	€ 985	2
70733100	Telescopic mast foot	€ 819	2
70733200	Mast wall bracket telescopic	€ 488	2

Stock C for this page

Description	S	Itemnumber	Price
Car with wheels	C	990609533	€ 1.290,77
Mast 4 m	C	990609534	€ 1.274,23
Support triangle	C	990609535	€ 1.406,61
Carrier bridge	C	990609543	€ 1.241,13
Double horizontal brace	C	990609536	€ 198,58
Telescopic brace QI	C	990609537	€ 248,23
Triangle 3 m	C	990609541	€ 918,44
Platform for triangle 3 m	C	990609542	€ 685,10
Guardrail for triangle 3 m with toeboard	C	990609538	€ 579,19
Guardrail for triangle 3 m with toeboard + U right	C	990609539	€ 628,84
Guardrail for triangle 3 m with toeboard + U left	C	990609540	€ 628,84
Toeboard alu frontside	C	990609544	€ 66,19
Alu stage 4	C	990609529	€ 714,89
Guardrail for alu stage 4 m with toeboard + u fixed	C	990609546	€ 744,68
Guardrail end coupling	C	990609547	€ 115,84
Door	C	990609548	€ 330,97

ASC X-Lift 4,25 m with 12 m triangle

Description	Quantity
Car with wheels	2
Mast 4 m	2
Carrier triangle	2
Double horizontal brace	2
Telescopic brace QI	4
Triangle 3 m	4
Platform for triangle 3 m	4
Guardrail for triangle 3 m with toeboard	6
Guardrail for triangle 3 m with toeboard + U right	1
Guardrail for triangle 3 m with toeboard + U left	1
Toeboard alu frontside	1
Guardrail end coupling	2
Door	1
Telescopic ladder 3,8 (advised by ASC)	1
Itemnumber	990609309
Price	€ 21.784,29



Item nr.: 990609309

ASC X-Lift 4,25 m with alu stage 4 m

Description	Quantity
Car with wheels	2
Mast 4 m	2
Carrier triangle	2
Double horizontal brace	2
Telescopic brace QI	4
Alu stage 4 m	1
Guardrail for alu stage 4 m with toeboard + u fixed	2
Toeboard alu frontside	1
Guardrail end coupling	2
Door	1
Telescopic ladder 3,8 (advised by ASC)	1
Itemnumber	990609308
Price	€ 12.576,77



Item nr.: 990609308

ASC XS-Lift

Description	S	Itemnumber	Price
ASC XS-Lift	C	8719998052565	€ 2.975,01



Item nr.: 8719998052565

Triangle Bridge

Description	S	Itemnum.	Price	7 m	8 m	9 m	10 m	11 m	12 m	14 m	16 m	Kg
Triangle bridge without shelter:												
Triangle part 2 m	C	76010022	€ 761			1	1			1		12
Triangle part 3 m	C	76010023	€ 918	1		1		1				15,5
Triangle part 4 m	C	76010024	€ 1.067	1	2	1	2	2	3	3	4	19,5

Platform 2 m	C	76200022	€ 513			1	1			1		15
Platform 3 m	C	76200023	€ 685	1		1		1				21
Platform 4 m	C	76200024	€ 857	1	2	1	2	2	3	3	4	25

Guardrail 2 m	C	76150022	€ 654			1	1			1		12
Guardrail 3 m	C	76150023	€ 745	1		1		1				16
Guardrail 4 m	C	76150024	€ 786	1	2	1	2	2	3	3	4	20

Front guardrail collapsible p/p	C	76150099	€ 306	2	2	2	2	2	2	2	2	3,8
Suspension plate p/p	C	76100000	€ 290									

Stabilizer 1,25 m	C	76404001	€ 207									2,2
Locking clip	C	90609997	€ 1,90	7	8	9	10	11	12	14	16	0,056
Subtotal price:				€ 5.684	€ 6.049	€ 7.616	€ 7.980	€ 8.403	€ 8.767	€ 10.699	€ 11.485	
Itemnumber:				T7	T8	T9	T10	T11	T12	T14	T16	

Triangle bridge with shelter:												
Canopy p/part	C	76100001	€ 237	4	4	6	6	6	6	8	8	4,6
Vertical canvas clamp 45 mm	C	76100002	€ 89	4	4	6	6	6	6	8	8	1,5

Hor. canvas clamp 51 mm 2 m	C	76101002	€ 104			2	2			2		2,1
Hor. canvas clamp 51 mm 3 m	C	76101003	€ 122	2		2		2				3
Hor. canvas clamp 51 mm 4 m	C	76101004	€ 141	2	4	2	4	4	6	6	8	3,9

Edge canvas clamp 45 mm 2 m	C	76102002	€ 63			1	1			1		1,45
Edge canvas clamp 45 mm 3 m	C	76102003	€ 81	1		1		1				2,1
Edge canvas clamp 45 mm 4 m	C	76102004	€ 96	1	2	1	2	2	3	3	4	2,9

Canvas - white 2x4 m	C	76830022	€ 756			1	1			1		2,5
Canvas - white 3x4 m	C	76830023	€ 899	1		1		1				3,75
Canvas - white 4x4 m	C	76830024	€ 1.134	1	2	1	2	2	3	3	4	5

Locking clip	C	90609997	€ 1,90	16	16	24	24	24	24	32	32	0,056
Subtotal price:				€ 4.070	€ 4.356	€ 5.765	€ 6.051	€ 6.248	€ 6.534	€ 8.229	€ 8.712	
Itemnumber:				TO7	TO8	TO9	TO10	TO11	TO12	TO14	TO16	

Masts: length 6 m additional costs masts p/m + € 322,75 maximum length masts 9 meter

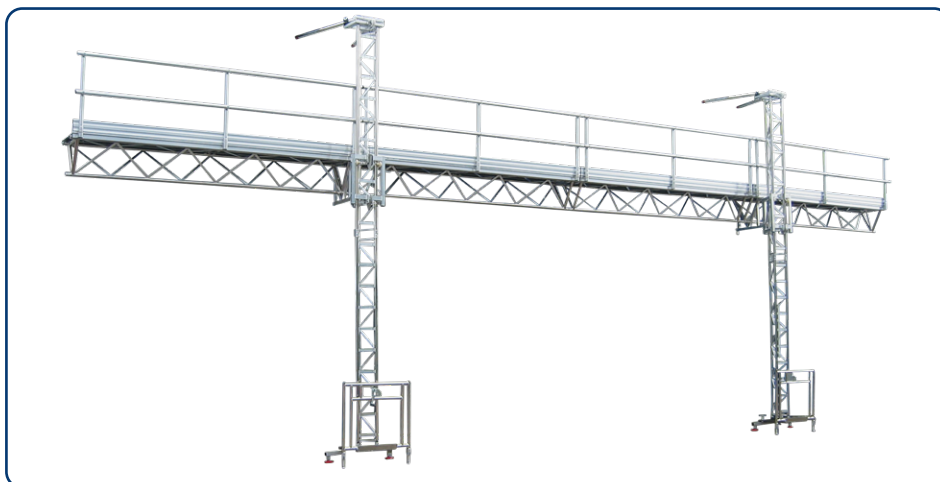
Mast complete p/p		€ 5.909		2	2	2	2	2	2	2	2	
Set price :				€ 11.819	€ 11.819	€ 11.819	€ 11.819	€ 11.819	€ 11.819	€ 11.819	€ 11.819	
Itemnumber:				TM6S	TM6S	TM6S	TM6S	TM6S	TM6S	TM6S	TM6S	

Total triangle bridge, guardrail, incl. 2 masts (without shelter):

Set price :		€ 17.503	€ 17.868	€ 19.435	€ 19.799	€ 20.222	€ 20.586	€ 22.518	€ 23.304			
Itemnumber:		TC7	TC8	TC9	TC10	TC11	TC12	TC14	TC16			

Total triangle bridge, guardrail, incl. 2 masts (with shelter):

Set price :		€ 21.573	€ 22.224	€ 25.200	€ 25.850	€ 26.470	€ 27.120	€ 30.747	€ 32.016			
Itemnumber:		TCO7	TCO8	TCO9	TCO10	TCO11	TCO12	TCO14	TCO16			



Plasterer stepladder

Steps	S	Height platf.	W x L	Stepdistance	Kg	Itemnumber	Price
2	B	56 cm.	80 x 54 cm.	27 cm.	3,5	70450000	€ 200,00
3	B	75 cm.	94 x 54 cm.	27 cm.	4	70450001	€ 302,53
3	B	75 cm.	94 x 54 cm 2 sided access	27 cm.	4,2	990609252	€ 302,53

Masonry tub-trolley

Metselkuiphouder collapsible - will be delivered without tub				Kg	S	Itemnumber	Price
Masonry tub-trolley				11	B	70450010	€ 225,88
for tubs with a diameter between 48 and 52 cm (will be delivered without tub)							
Adaptorset for masonry tub-trolley 160 ltr				3	B	990609095	€ 87,28

Chain-stitch stepladder

Steps	S	Height platf.	Max. Working Height	Kg	Itemnumber	Price
4	B	1,00 m	3,00 m	4,8	100330	€ 227,54
5	B	1,25 m	3,25 m	5,6	100331	€ 245,75
6	B	1,50 m	3,50 m	6,4	100332	€ 273,05
7	B	1,75 m	3,75 m	7,2	100333	€ 309,46
8	B	2,00 m	4,00 m	8	100334	€ 345,86

Plasterer stepladder 2 steps



Plasterer stepladder 3 steps



Wall stepladder 4 steps



Masonry tub-trolley



Folding Tower XXL 250

Description	S	Itemnum.	Price	Weight kg	Dimensions
Folding Tower XXL 250 complete	B	990609566	€ 2.642,78	81,2	190x250
<i>Consists of:</i>					
1x Folding unit XXL without ASC pin	B	990609689	€ 1.365,24	18	190x250
3x Platform without trapdoor	B	10203112	€ 412,05	18,4	250x60x6
4x Wheel 150 mm	B	90506500	€ 47,99	2	15x15x5
5x Locking clips	B	90609997	€ 1,90		

Description	S	Itemnum.	Price	Weight kg	Dimensions
Folding unit XXL 190x250 without ASC pins	B	990609689	€ 1.365,24	18	190x250
Folding unit XXL 190x250 with ASC pins	B	990609690	€ 1.481,08	19	190x250

ASC Stepladders

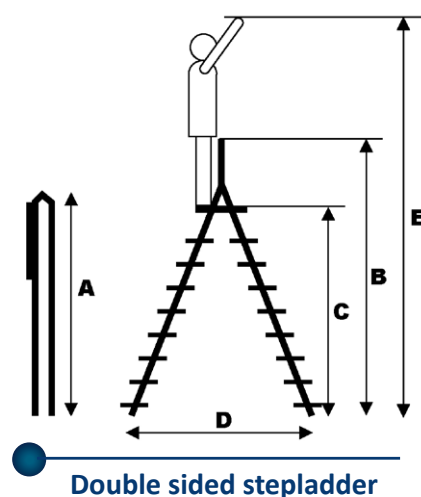
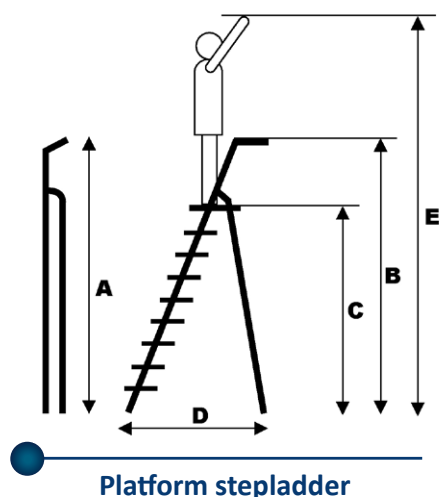
ASC Platform stepladder

	Description	S	Itemnum.	Price	Transport height	Height standing	Platform height	Width open	Working height	kg
					A	B	C	D	E	
Platform stepladder	ASC BT-2	A	990609209	€ 232,83	122	111	50	67	250	6
	ASC BT-3	A	990608857	€ 293,66	148	136	75	83	275	7
	ASC BT-4	A	990608858	€ 344,03	175	161	100	100	300	8,5
	ASC BT-5	A	990608859	€ 397,90	202	186	125	115	325	9,6
	ASC BT-6	A	990608860	€ 460,46	230	213	151	130	351	11
	ASC BT-7	A	990608861	€ 514,33	256	237	176	148	376	12
	ASC BT-8	A	990608862	€ 571,66	283	262	201	162	401	13
	ASC BT-9	A	990608863	€ 630,75	310	288	228	177	428	15
	ASC BT-10	A	990608864	€ 684,60	337	313	252	192	452	17
	ASC BT-12	A	990608866	€ 832,30	391	362	302	232	502	21

ASC Double sided stepladder

	Description	S	Itemnum.	Price	Transport height	Height standing	Platform height	Width open	Working height	kg
					A	B	C	D	E	
Double sided stepladder	ASC DT-2 zonder beugel	A	990608867	€ 224,15	58	50	50	59	250	5
	ASC DT-3	A	990608868	€ 312,76	85	136	75	78	276	8
	ASC DT-4	A	990608869	€ 390,96	111	161	101	96	301	10
	ASC DT-5	A	990608870	€ 443,08	138	186	126	115	326	11,5
	ASC DT-6	A	990608871	€ 519,54	165	211	151	134	351	13,5
	ASC DT-7	A	990608872	€ 582,10	192	237	177	150	377	16
	ASC DT-8	A	990608873	€ 675,92	217	262	202	171	402	18
	ASC DT-9	A	990608874	€ 780,17	246	287	227	188	427	21
	ASC DT-10	A	990608875	€ 832,30	273	313	253	206	453	23
	ASC DT-12	A	990608877	€ 1.092,94	327	363	303	245	503	27

See page 54 for the accessories



Item num.: 990608858 Item num.: 990608869



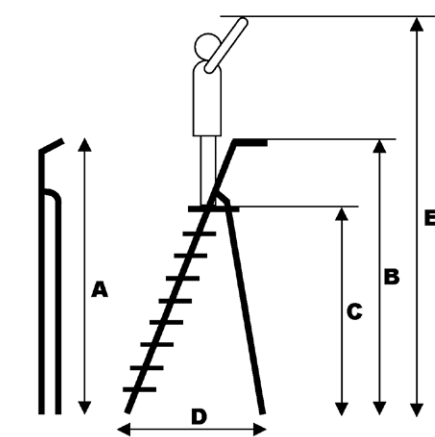
Premium Platform Stepladders

	Description	S	Itemnum.	Price	Transport height A	Height standing B	Platform height C	Width open D	Working height E	kg
Platform Stepladders	Premium BT-3	A	200301	€ 346,58	148	136	75	83	275	7
	Premium BT-4	A	200302	€ 425,36	175	161	100	100	300	9
	Premium BT-5	A	200303	€ 496,25	202	186	125	115	325	10,5
	Premium BT-6	A	200304	€ 575,02	230	213	151	130	351	12
	Premium BT-7	A	200305	€ 661,67	256	237	176	148	376	13,5
	Premium BT-8	A	200306	€ 738,87	283	262	201	162	401	15
	Premium BT-9	A	prbt9	€ 919,00	310	288	228	177	428	17
	Premium BT-10	A	200307	€ 1.093,33	337	313	252	192	452	18
	Premium BT-12	A	200308	€ 1.283,95	391	362	302	232	502	21

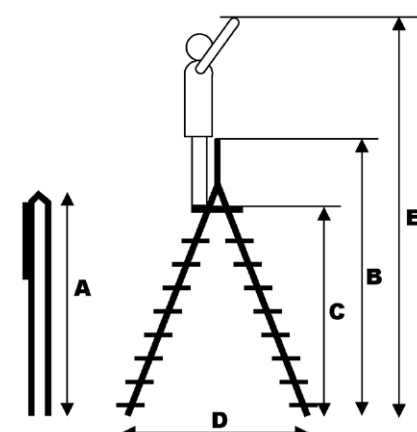
Premium Double Stepladders

	Description	S	Itemnum.	Price	Transport height A	Height standing B	Platform height C	Width open D	Working height E	kg
Double Stepladders	Premium DT-2 without safety bar	A	200315	€ 433,24	58	50	50	59	250	5
	Premium DT-3	A	200309	€ 486,80	85	136	76	78	276	8,5
	Premium DT-4	A	200310	€ 559,27	111	161	101	96	301	10
	Premium DT-5	A	200311	€ 660,09	138	186	126	115	326	12,5
	Premium DT-6	A	200312	€ 732,57	165	211	151	134	351	15
	Premium DT-7	A	200313	€ 842,85	192	237	177	150	377	16
	Premium DT-8	A	200314	€ 937,37	217	262	202	171	402	19
	Premium DT-9	A	prdt9	€ 1.021,64	246	287	227	188	427	22
	Premium DT-10	A	200316	€ 1.101,21	273	313	253	206	453	24
	Premium DT-11	A	prdt11	€ 1.261,66	300	228	278	228	478	26
	Premium DT-12	A	prdt12	€ 1.417,87	327	363	303	245	503	27

See page 54 for the accessories



Platform stepladder



Double sided stepladder



Item num.: 200303



Item num.: 200310

ASC XD Ladders

ASC Double Stepladders Pro-Line

	Description	S	Itemnum.	Price	Transport height A	Height standing B	Platform height C	Width open D	Working height E	kg	Thickness collapsed	Max. Width
Double Stepladders Pro-Line	Pro-Line DT-2	A	8719998985542	€ 284,68	595*	500	500	635	2500	4,4	220	480
	Pro-Line DT-3	A	8719998985559	€ 518,89	900**	1350	750	815	2750	9,1	223	515
	Pro-Line DT-4	A	8719998985566	€ 602,21	1170	1600	1000	1020	3000	11,2	225	550
	Pro-Line DT-5	A	8719998985573	€ 702,50	1440	1850	1250	1225	3250	13,4	228	585
	Pro-Line DT-6	A	8719998985580	€ 810,47	1710	2100	1500	1430	3500	15,6	230	620
	Pro-Line DT-7	A	8719998985597	€ 886,98	1980	2350	1750	1635	3750	17,9	233	655
	Pro-Line DT-8	A	8719998985603	€ 1.056,98	2250	2600	2000	1840	4000	20,2	235	690
	Pro-Line DT-9	A	8719998985610	€ 1.103,26	2520	2850	2250	2045	4250	22,6	238	725
	Pro-Line DT-10	A	8719998985627	€ 1.149,58	2790	3100	2500	2250	4500	25,0	240	760
	Pro-Line DT-12	A	8719998985498	€ 1.254,10	3060	3600	3000	2455	5000	27,5	243	795

*= without safety bar

**= with safety bar not folded 1150 mm

[See page 54 for the accessories](#)



XD Ladder single without stabilization beam

	Description	S	Item number:	Price:	Ladder Length A	Max. Working height B	Ladder width	kg
LADDER 1x without beam	XD Ladder 1x8	A	xdle8	€ 307,63	220	320	43,5	4
	XD Ladder 1x10	A	xdle10	€ 371,34	272	372	43,5	5
	XD Ladder 1x12	A	xdle12	€ 427,78	322	422	43,5	6
	XD Ladder 1x14	A	xdle14	€ 500,59	362	462	43,5	7
	XD Ladder 1x16	A	xdle16	€ 609,05	422	522	43,5	8

XD Ladder single with stabilization beam

LADDER 1x with beam	XD Ladder 1x8	A	xdleb8	€ 533,23	225	325	43,5	5
	XD Ladder 1x10	A	xdleb10	€ 596,93	269	370	43,5	6
	XD Ladder 1x12	A	xdleb12	€ 653,36	326	426	43,5	7
	XD Ladder 1x14	A	xdleb14	€ 726,19	376	476	43,5	8
	XD Ladder 1x16	A	xdleb16	€ 834,64	426	526	43,5	9

XD Ladder 2 part with stabilization beam

	Description	S	Item number:	Price:	Ladder Length A	Ladder Length Out B	Max. Working Height C	kg
LADDER 2x with beam	XD Ladder 2x8	A	990609611	€ 658,63	230	330	430	11
	XD Ladder 2x10	A	200214	€ 809,22	285	430	530	13,5
	XD Ladder 2x12	A	200215	€ 891,96	332	532	632	18
	XD Ladder 2x14 no A-stand	A	990609612	€ 989,59	372	622	722	21
	XD Ladder 2x16 no A-stand	A	990609613	€ 1.050,82	422	722	822	25

XD Ladder 3 part with stabilization beam

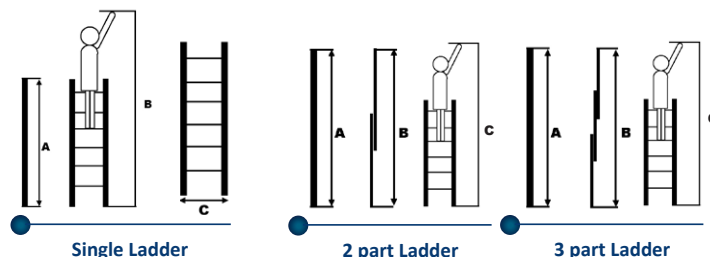
LADDER 3x with beam	XD Ladder 3x8	A	990609614	€ 968,08	225	455	555	17
	XD Ladder 3x10	A	990609615	€ 1.140,18	285	610	710	21,5
	XD Ladder 3x12	A	990609616	€ 1.320,56	332	755	855	29
	XD Ladder 3x14 no A-stand	A	990609617	€ 1.570,44	372	870	970	31
	XD Ladder 3x16 no A-stand	A	990609618	€ 1.951,05	422	1020	1120	33

Premium Ladders 2 parts

	Description	S	Itemnum.	Price	Ladder Length Inn A	Ladder Length Out B	Max. Working height C	kg
LADDER 2x	Premium Ladder 2x8	A	200201	€ 526,24	223	352	452	10
	Premium Ladder 2x10	A	200202	€ 628,84	273	452	552	12
	Premium Ladder 2x12	A	200203	€ 741,37	323	550	650	17
	Premium Ladder 2*14 no A-position	A	200204	€ 901,06	374	598	698	20
	Premium Ladder 2*16 no A-position	A	200205	€ 1.019,38	423	700	800	24

Premium Ladders 3 parts

	Description	S	Itemnum.	Price	Ladder Length Inn A	Ladder Length Out B	Max. Working height C	kg
LADDER 3x	Premium Ladder 3x8	A	200206	€ 819,14	223	500	600	16
	Premium Ladder 3x10	A	200207	€ 984,63	273	550	650	20
	Premium Ladder 3x12	A	200208	€ 1.150,11	323	800	900	28
	Premium Ladder 3x14 no A-stand	A	200209	€ 1.486,04	374	783	973	33
	Premium Ladder 3x16 no A-stand	A	200210	€ 1.830,25	423	999	1099	38



VGS Ladders Wide

VGS Ladder single

	Description	S	Itemnum.	Price	Ladder Length in A	Ladder width B	Max. Working height C	kg
VGS LADDERS 1-deilig uitgebogen	VGS Ladder 1x8	C	990609465	€ 218,73	206	63	306	4,2
	VGS Ladder 1x10	C	990609466	€ 276,86	253	63	353	5
	VGS Ladder 1x12	C	990609467	€ 328,16	306	69	406	6
	VGS Ladder 1x14	C	990609468	€ 365,02	355	82	455	7
	VGS Ladder 1x16	C	990609469	€ 408,57	405	89	505	8
	VGS Ladder 1x18	C	990609470	€ 506,16	450	90	550	9
	VGS Ladder 1x20	C	990609471	€ 656,00	500	95	600	10

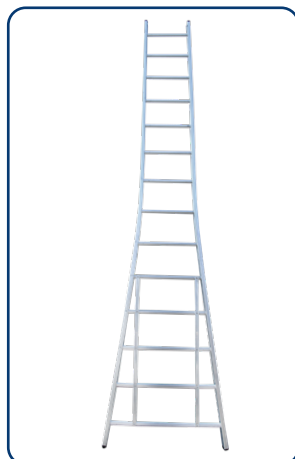
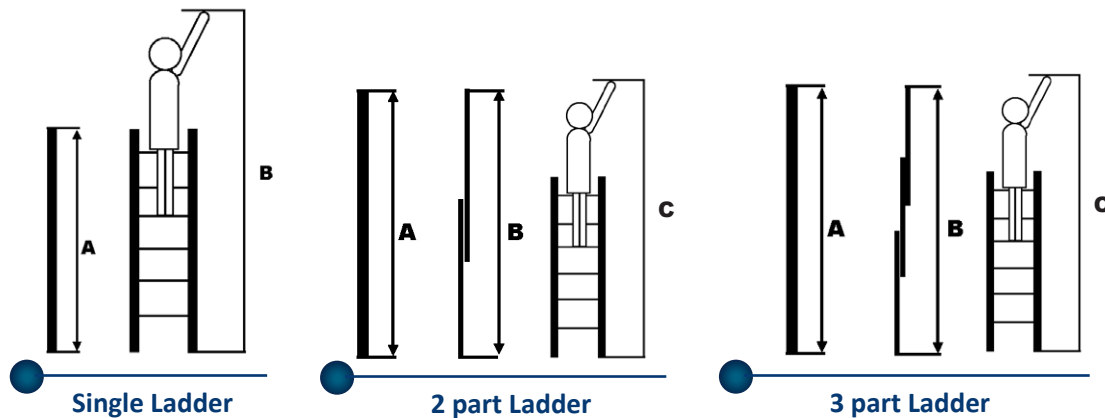
VGS Ladder 2 parts

	Description	S	Itemnum.	Price	Ladder Length in A	Ladder Length out B	Max. Working height C	kg
VGS LADDERS 2 parts wide	VGS Ladder 2x8	C	100200	€ 502,00	207	325	425	8,2
	VGS Ladder 2x10	C	100201	€ 605,02	250	425	525	9,2
	VGS Ladder 2x12	C	100202	€ 792,73	300	525	625	10,8
	VGS Ladder 2x14 no A-stand	C	100203	€ 868,45	350	625	725	14
	VGS Ladder 2x16 no A-stand	C	100204	€ 972,00	410	690	790	16

VGS Ladder 3 parts

	Description	S	Itemnum.	Price	Ladder Length in A	Ladder Length out B	Max. Working height C	kg
VGS LADDERS 3 parts wide	VGS Ladder 3x8	C	100205	€ 860,16	208	450	550	14,7
	VGS Ladder 3x9	C	100206	€ 941,88	225	525	625	15,7
	VGS Ladder 3x10	C	100207	€ 1.023,88	250	650	750	16,7
	VGS Ladder 3x12	C	100208	€ 1.194,16	310	740	840	19
	VGS Ladder 3x14 no A-stand	C	100209	€ 1.530,04	350	825	925	23,1
	VGS Ladder 3x16 no A-stand	C	100210	€ 1.768,57	410	960	1060	27,9

[See page 54 for the accessories](#)



Item num.: 990609468



Item nr.: 100202



Item nr.: 100207

VGS Ladders Straight

VGS straight ladders

	Description	S	Itemnum.	Price	Lengte Ladder A	Max. Working height B	Ladder width C	kg
SINGLE STRAIGHT	VGS ladder 1x8	C	100224	€ 209,14	200	300	44	4
	VGS ladder 1x10	C	100225	€ 265,02	250	350	44	4,4
	VGS ladder 1x12	C	100226	€ 314,00	300	400	44	5,5
	VGS ladder 1x14	C	100227	€ 349,02	350	450	44	8
	VGS ladder 1x16	C	100228	€ 408,57	400	500	44	9
	VGS ladder 1x18	C	100229	€ 506,16	450	550	44	10
	VGS ladder 1x20	C	100230	€ 656,00	500	600	44	11

	Description	S	Itemnum.	Price	Ladder Length in A	Ladder Length out B	Max. Working height C	kg
2x STRAIGHT	VGS ladder 2x8	C	100200R	€ 455,59	200	325	425	7,8
	VGS ladder 2x10	C	100201R	€ 567,02	250	425	525	9,8
	VGS ladder 2x12	C	100202R	€ 658,73	300	525	625	11,8
	VGS ladder 2x14	C	100203R	€ 760,86	350	625	725	13,8
	VGS ladder 2x16	C	100204R	€ 862,86	410	690	790	15,8

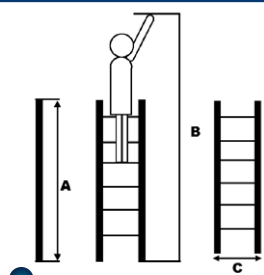
3x STRAIGHT	VGS ladder 3x8	C	100205R	€ 726,45	200	450	550	15,8
	VGS ladder 3x9	C	100206R	€ 808,16	225	525	625	16,8
	VGS ladder 3x10	C	100207R	€ 889,88	250	650	750	17,8
	VGS ladder 3x12	C	100208R	€ 1.155,90	310	740	840	19,8
	VGS ladder 3x14	C	100209R	€ 1.492,68	350	825	925	24,6
	VGS ladder 3x16	C	100210R	€ 1.683,80	410	960	1060	27,9

VGS Straight Pull up ladders

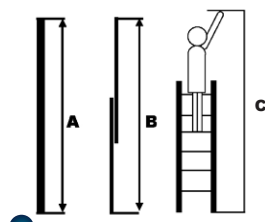
	Description	S	Itemnum.	Price	Ladder Length in A	Ladder Length out B	Max. Working height C	kg
Pull up 2x straight	Pull up 2x16	C	100211	€ 1.530,45	400	725	825	24
	Pull up 2x18	C	100212	€ 1.674,16	450	825	925	27
	Pull up 2x20	C	100213	€ 1.818,73	500	925	1025	30
	Pull up 2x22	C	100214	€ 1.961,88	550	1025	1125	33
	Pull up 2x24	C	100215	€ 2.318,29	600	1125	1225	36
	Pull up 2x26	C	100216	€ 2.642,86	650	1225	1325	39
	Pull up 2x28	C	100217	€ 2.784,73	700	1325	1425	42
	Pull up 2x30	C	100218	€ 2.963,02	750	1425	1525	45

Pull up 3x straight	Pull up 3x16	C	100219	€ 2.312,29	400	1050	1150	36
	Pull up 3x18	C	100220	€ 2.843,31	450	1200	1300	40,5
	Pull up 3x20	C	100221	€ 3.346,73	500	1350	1450	45
	Pull up 3x22	C	100222	€ 3.808,29	550	1500	1600	49,5
	Pull up 3x24	C	100223	€ 4.124,57	600	1600	1700	54

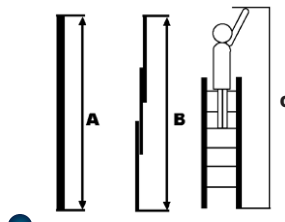
See page 54 for the accessories



Single Ladder



2 part Ladder



3 part Ladder

VGS Stepladders

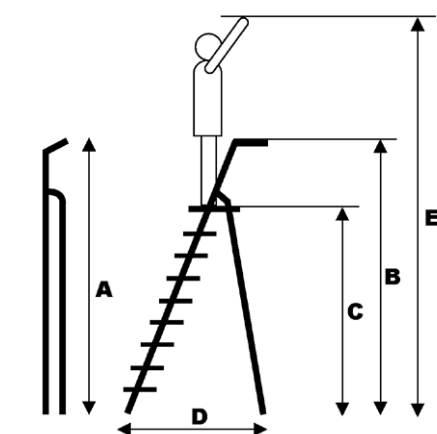
VGS Stepladder

	Description	S	Itemnum.	Price	Transport height		Platform height	Width open	Working height	kg
					A	B	C	D	E	
Platform Stepladder	BT-2 VGS	C	100300	€ 278,00	115	103	41	61	241	6
	BT-3 VGS	C	100301	€ 345,71	139	126	64	77	264	6,5
	BT-4 VGS	C	100302	€ 420,86	165	148	87	93	287	7
	BT-5 VGS	C	100303	€ 495,71	189	177	109	108	309	8
	BT-6 VGS	C	100304	€ 568,86	215	194	133	129	333	9,5
	BT-7 VGS	C	100305	€ 660,71	240	216	155	144	355	10,5
	BT-8 VGS	C	100306	€ 734,57	265	238	178	159	378	12
	BT-9 VGS	C	100307	€ 807,14	290	261	199	175	399	14,5
	BT-10 VGS	C	100308	€ 891,71	311	292	222	214	422	16
	BT-11 VGS	C	100309	€ 966,43	336	316	245	229	445	18
	BT-12 VGS	C	100310	€ 1.049,00	361	340	270	244	470	20
	BT-13 VGS	C	100311	€ 1.131,57	386	365	293	260	493	22
	BT-14 VGS	C	100312	€ 1.221,29	411	390	315	275	515	24

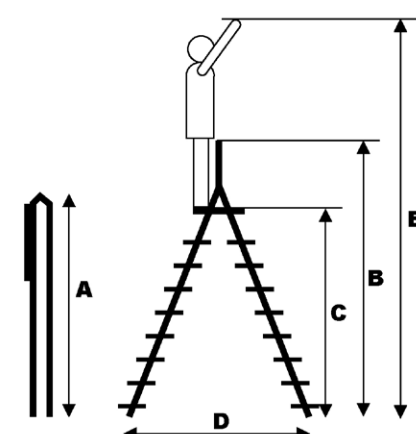
VGS Stepladder double

	Description	S	Itemnum.	Price	Transport height		Platform height	Width open	Working height	kg
					A	B	C	D	E	
Double stepladder	BT-2 VGS safety beam	C	100313	€ 310,86	51	50	44	55	244	4
	DT-3 VGS	C	100314	€ 483,43	76	132	67	74	274	7
	DT-4 VGS	C	100315	€ 567,29	112	157	91	93	293	9
	DT-5 VGS	C	100316	€ 651,14	137	182	113	113	313	10
	DT-6 VGS	C	100317	€ 734,00	161	207	135	133	335	12
	DT-7 VGS	C	100318	€ 837,71	187	233	159	153	359	14
	DT-8 VGS	C	100319	€ 924,71	212	257	182	172	382	15
	DT-9 VGS	C	100320	€ 1.016,86	235	283	205	192	405	17
	DT-10 VGS	C	100321	€ 1.101,57	262	308	227	214	427	19
	DT-11 VGS	C	100322	€ 1.186,14	286	334	251	229	451	23
	DT-12 VGS	C	100323	€ 1.279,86	297	360	274	250	474	25
	DT-13 VGS	C	100324	€ 1.385,14	322	385	297	271	497	26
	DT-14 VGS	C	100325	€ 1.475,71	347	410	320	290	520	27

[See page 54 for the accessories](#)



Platform stepladder



Double sided stepladder



Item num.: 100303



Item num.: 100316

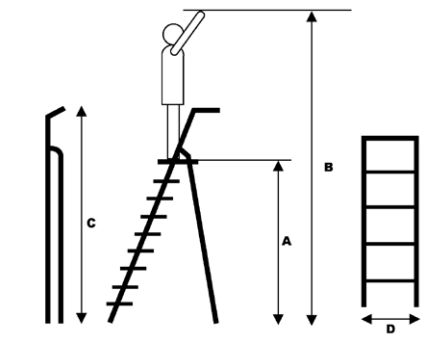
Fiber Stepladders

Fiber Bordestrap

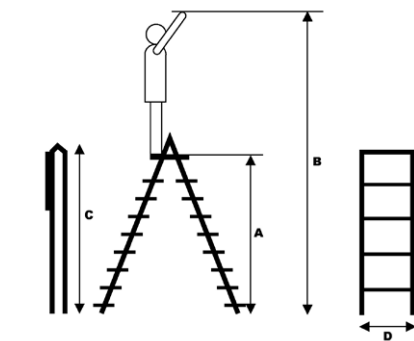
	Description	S	Itemnum.	Price	Standing height	Working height	Transport height	Width below	kg
					A	B	C	D	
Platform Stepladder	Fiber BT-3	C	990609416	€ 1.749,40	75	275	155	44	6,6
	Fiber BT-4	C	990609417	€ 2.094,54	100	300	180	47	7,6
	Fiber BT-5	C	990609418	€ 2.444,42	125	325	205	49	8,4
	Fiber BT-6	C	990609419	€ 2.789,56	150	350	235	52	9,6
	Fiber BT-7	C	990609420	€ 3.148,94	175	375	255	55	10,8
	Fiber BT-8	C	990609421	€ 3.489,34	200	400	285	58	12
	Fiber BT-10	C	990609422	€ 4.184,38	250	450	340	63	14,5
	Fiber BT-12	C	990609423	€ 4.874,67	300	500	395	68	17

Fiber Dubbele trap

	Description	S	Itemnum.	Price	Standing height	Working height	Transport height	Width below	kg
					A	B	C	D	
Double Stepladder	Fiber DT-3	C	990609424	€ 1.503,54	75	275	91	44	6
	Fiber DT-4	C	990609425	€ 1.848,69	100	300	118	47	7,5
	Fiber DT-5	C	990609426	€ 2.203,31	125	325	140	49	9,2
	Fiber DT-6	C	990609427	€ 2.548,46	150	350	172	52	11
	Fiber DT-8	C	990609428	€ 3.243,48	200	400	226	58	15
	Fiber DT-10	C	990609429	€ 3.943,25	250	450	280	63	18,7



Platform stepladder



Double sided stepladder



Item num.: 990609418



Item num.: 990609426

Telesteps

Itemnum.	S	TELESTEPS ladder prime	Steps	Retracted Length (cm)	Extended Length (cm)	Weight kg	Price
72235-781	A	3,5 meter with stabilizing bar 80mm	11	87	350	15,2	€ 585,00
72241-681	A	4,1 meter with stabilizing bar	13	94	410	16,5	€ 625,00
72241-781	A	4,1 meter with stabilizing bar 80mm	13	94	410	17,6	€ 650,00
Itemnum.	S	TELESTEPS Combi-ladder	Steps	Retracted Length (cm)	Extended Length (cm)	Weight kg	Price
72423-681	A	2,3 meter	6+2	71	230	14,5	€ 570,00
72430-681	A	3,0 meter	8+2	78	300	19,5	€ 730,00
Itemnum.	S	TELESTEPS Working platform	Steps	Retracted Length (cm)	Extended Length (cm)	Weight kg	Price
61209-101	A	0,9 meter	3	28	88	16,5	€ 512,66
Itemnum.	S	TELESTEPS Loft ladder	Steps	Retracted Length (cm)	Extended Length (cm)	Weight kg	Price
72324-541	A	Loft mini 2,55	9	100	255	13	€ 480,00
72527-541	A	Loft maxi 3,0	10	100	300	15,5	€ 535,00
Itemnum.	S	TELESTEPS Rescue line	Steps	Retracted Length (cm)	Extended Length (cm)	Weight kg	Price
70741-501	A	4,1 m fire fighter	13	117	410	19,2	€ 935,81
Itemnum.	S	TELESTEPS Accessories					Price
9180-101	A	Working tray					€ 34,70
9170-501	A	Safety feet adjustable					€ 134,81
9142-101	A	Spikes					€ 69,41
9512	A	Rubber feet for 3,3 m (72 mm)					€ 17,35
9550-501	A	Telesteps Ladder cap 88 mm Prime black (set)					€ 22,00
9551-501	A	Telesteps Ladder cap 99 mm Prime black (set)					€ 22,00
9552-501	A	Telesteps Ladder cap 105 mm Prime black (set)					€ 22,00
9553-501	A	Telesteps rubber top Prime Line 3,0/3,5m 33mm					€ 22,00
9567-501	A	Telesteps rubber top Prime Line 3,0/3,5m 2st					€ 22,00
9568-101	A	Telesteps rubber voeten stabilisatiebalk 2st					€ 22,00

Telesteps



Wakü en BigOne telescopische vouwladders

Description	S	kg	Ladderlength in A-position (cm)	Ladderlength single straight (cm)	Transport dimensions (cm)	Itemnum.	Price
Wakü telescopic ladder 4x3	A	10	134 3 - 5 sp.	310 6 - 10 sp.	102 x 20 x 50	84000403	€ 626,69
Wakü telescopic ladder 4x4	A	13	186 4 - 7 sp.	420 8 - 14 sp.	129 x 20 x 57	84000404	€ 725,76
Wakü telescopic ladder 4x5	A	16	240 5 - 7 sp.	530 10 - 18 sp.	157 x 20 x 64	84000405	€ 845,57
Wakü telescopic ladder 4x6	A	20	292 6 - 11 sp.	640 12 - 22 sp.	185 x 20 x 70	84000406	€ 965,38

Description Spareparts	S	Itemnum.	Price
RVS Hinge	A	84010001	€ 276,28
Ratchet with metal body	A	84010002	€ 92,96
Cap inside	A	84010003	€ 19,11
Cap outside left	A	84010004	€ 22,59
Cap outside right	A	84010007	€ 22,59
Covercap with slot	A	84010005	€ 4,69
Covercap	A	84010006	€ 4,69

Accessoires	S	Itemnum.	Price
Ladder bench	B	84010011	€ 208,51
Beam extender	B	84010012	€ 224,15
Telescopic wall bracket with toolbox	B	84010013	€ 434,40

BigOne Telescopic ladders

Description	S	kg	Ladderlength in A-position (cm)	Ladderlength single straight (cm)	Transport dimensions (cm)	Itemnum.	Price
Bigone telescopic ladder 4x3	A	11,5	146	303	100 x 20 x 52	BIG3	€ 492,30
Bigone telescopic ladder 4x4	A	14,8	199	415	127 x 20 x 58	BIG4	€ 624,60
Bigone telescopic ladder 4x5	A	18,3	252	508	155 x 20 x 65	BIG5	€ 740,70
Bigone telescopic ladder 4x6	A	21,1	303	639	183 x 20 x 73	BIG6	€ 869,40

BigOne parts	S	Itemnum.	Price
BigOne telescopic ladder wheel red 75 mm with holder left	A	8719998046144	€ 23,69
BigOne telescopic ladder wheel red 75 mm with holder right	A	8719998046151	€ 23,69
BigOne telescopic ladder cap left	A	990609164	€ 24,79
BigOne telescopic ladder cap right	A	990609165	€ 24,79
BigOne telescopic ladder cap middle	A	990609166	€ 24,79
Bigone telescopic ladder cap with slot	A	990609162	€ 17,16
Bigone telescopic ladder cap without slot L	A	990609163	€ 14,19
Bigone telescopic ladder cap without slot R	A	990609572	€ 14,19

Pull-out plank	S	Itemnum.	Price
Pull-out plank aluminum in: 2 meter out: 3 meter	C	tele-200-300	€ 675,16
Pull-out plank aluminum in: 2,5 meter out: 4 meter	C	tele-250-400	€ 825,76
Pull-out plank aluminum in: 3 meter out: 5 meter	C	tele-300-500	€ 1.002,85



● Big One telescopic ladder
BIG5



● Waku telescopic ladder
84000404

Industrial steps

Description	S	Itemnumber	Price	Dimensions HxLxW	Stair width
Industrial step - 1 step	D	MOT-1	€ 225,71	20,5x30x59,5 cm	30 cm
Industrial step - 2 steps	D	MOT-2	€ 400,00	39,5x57x59,5 cm	30 cm
Industrial step - 3 steps	D	MOT-3	€ 542,86	58,5x84x59,5 cm	30 cm
Industrial step - 4 steps	D	MOT-4	€ 685,71	77,5x111x59,5 cm	30 cm
Industrial step - 5 steps	D	MOT-5	€ 908,57	97x138x59,5 cm	30 cm

Industrial step side handrail	D	MOT-LZ	€ 248,07
Industrial step end handrail	D	MOT-EL	€ 248,07
Industrial step wheelset incl. assembly	D	MOT-WIEL	€ 307,72

● **Industrial steps:**
Available from 1 train up to 5 steps



Foldable Warehouse Stepladder

Description	S	Itemnum.	Price
Foldable Warehouse Stepladder with 3 steps	B	imt3	€ 1.315,60
Foldable Warehouse Stepladder with 4 steps	B	imt4	€ 1.649,87
Foldable Warehouse Stepladder with 5 steps	B	imt5	€ 1.944,44
Foldable Warehouse Stepladder with 6 steps	B	imt6	€ 2.171,15
Foldable Warehouse Stepladder with 7 steps	B	imt7	€ 2.478,95

Foldable Warehouse Stepladder:

For other sizes, versions and prices contact your ASC dealer.



Ladder Accessories

Description	S	Itemnumber	Price
Roof Hook for roof ridge	A	86900011-1	€ 180,37
Ladder wall bracket alu with straight hook, without tread plate	A	910000006	€ 148,94
Ladder wall bracket alu with angled hook and tread plate	A	910000005	€ 200,24
Ladder wall bracket steel	B	990608907	€ 107,56
Ladder wall mounting bracket p/p	B	86900014	€ 81,08
Ladder wall mounting bracket with locking pin p/p	B	86900020	€ 114,18
Ladder transport clamp steel 75 cm set	A	910000010	€ 51,30
Ladder clamp (set of 2)	A	8719998055221	€ 240,61

Ladder grip	S	Itemnumber	Price
Stabilizer universal uncoated	A	86900001-1	€ 107,56
Ladder mat 125 (126 cm)	A	990608983-1	€ 64,54
Ladder mat 100 (97 cm)	A	990608982	€ 49,65

X-Level ladderbeam:	S	Itemnumber	Price
X-Level ladderbeam	A	XLLB	€ 188,65

XD ladder	S	Itemnumber	Price
Stabilizer Tele X	A	86900001	€ 140,66
Stabilizer cap for XD Ladder beam	A	8719998046168	€ 18,92
Tele-X extension tube with cap right	A	8719998052862	€ 55,27
Tele-X extension tube with cap left	A	8719998052893	€ 55,27
Spreading position protection XD	A	8719998051698	€ 67,91
Wall bracket single for XD ladder	B	8719998054873	€ 104,03
Wall bracket double for XD ladder	B	8719998054880	€ 176,84
Coupling set complete for XD ladder	B	75609797	€ 135,40

Premium ladder	S	Itemnumber	Price
Ladder cap small for the premium ladder	A	200211	€ 22,88
Ladder cap big for the premium ladder	A	200212	€ 22,88

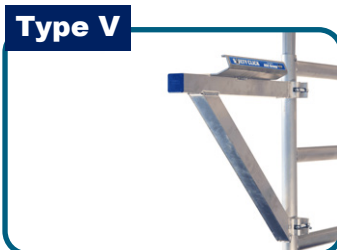
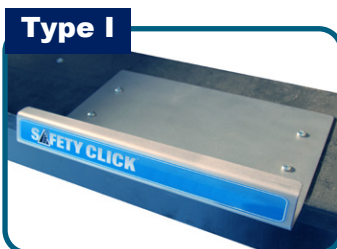
VGS ladder	S	Itemnumber	Price
Stabilizer beam for the VGS ladder	B	100231	€ 167,02
Ladder cap small for the VGS ladder	B	100232	€ 8,00
Ladder cap middle for the VGS ladder	B	100242	€ 10,23
Ladder cap big for the VGS ladder	B	100233	€ 12,00

VGS stepladder	S	Itemnumber	Price
Loose bracket for the VGS stepladder	B	100326	€ 92,16
Rubber shoes for the VGS stepladder	B	909999990	€ 12,23
Stepladder cap small 1-7 steps for the VGS stepladder	B	990609229	€ 8,23
Stepladder cap big 8-12 steps for the VGS stepladder	B	990609230	€ 8,23

ASC Platform Stepladder	S	Itemnumber	Price
Cap small 2-6 steps left	A	990609686	€ 24,82
Cap small 2-6 steps right	A	990609685	€ 24,82
Cap small 7-12 steps left	A	990608999	€ 24,82
Cap small 7-12 steps right	A	990609609	€ 24,82

ASC Double Stepladder	S	Itemnumber	Price
Stepladder cap left	A	990609000	€ 24,82
Stepladder cap right	A	990609001	€ 24,82
Loose Bracket	A	asctb	€ 67,90

Description:	S	Item num.	Price
Safetyclick Type I <i>This stainless steel Safetyclick ® is the standard model with a simple and easy operation. It has a single mounting plate and consists of 1 unit for mounting on top of an entrance (beams, attic, warehouse floor etc.)</i>	A	990609701-1	€ 53,34
Safetyclick Type II <i>This stainless steel Safetyclick ® is an extension to the standard model and can be extended. This provides various benefits for the user. Type II can be stored out of sight when not in use.</i>	A	990609702-1	€ 80,69
Safetyclick Type III <i>This stainless steel Safetyclick ® is an extension to the standard model and can be fixed directly on the wall.</i>	A	990609703-1	€ 67,02
Safetyclick Type IV <i>This aluminium Safetyclick ® offers the benefit of a safe access with a ladder on aluminium scaffold systems and/or trusses, stages. This Safetyclick ® will be delivered with 2 robust aluminium couplings.</i>	C	990609704-1	€ 108,04
Safetyclick Type V <i>This aluminium Safetyclick ® will be delivered with an aluminium extension console and two aluminium couplings. The Safetyclick ® type V can be fixed at any height on a scaffold, truss or other tube construction, after which one can safely use the ladder in order to access the required height.</i>	C	990609705-1	€ 135,40
Safetyclick Type VI <i>The Safetyclick ® Type VI is a single aluminium frame which can be fixed with aluminium couplings on a folding scaffold. Almost any type of ladder can be placed in the Safetyclick ®. The folding scaffold is then ready for safe access on the platform. Because of the unique patented design of the Safetyclick ® the ladder cannot slip and the scaffold will not roll away. Even when the robust and user-friendly design of the Safetyclick ® type VI is fixed on the folding scaffold, the frame can be folded for easy and safe transport.</i>	C	990609706-1	€ 176,42
Safetyclick Type VII <i>Safetyclick ® Type VII is the handy tool for the safe storing of your ladder or stepladder. This stainless steel bracket is robust and imperishable and can be fixed on the wall with 4 screws at any height. The width of this bracket makes it suitable for almost any ladder or stepladder.</i>	A	sct7-1	€ 31,28
Safetyclick Type VIII <i>ASC Group has developed a new type of Safetyclick ®, Type VIII. This type is specially designed for triangular bridges. For a long time the ASC Group received signals from the market regarding the entry on triangle bridges. To date, this could only be done with heavy permanent solutions or by means of a separate ladder. The simplicity and security of a Safetyclick ® now brings a safe and comfortable solution. The Safetyclick ® Type VIII can easily be mounted on one side of a triangular bridge and provides an affordable, sturdy locking option for any type of ladder.</i>	C	sftcl8	€ 537,82



Harness	S	Itemnum.	Price
Full body Harness Veleta	A	8719998053418	€ 160,19
Full body Harness Veleta plus	A	8719998053425	€ 198,33
Full body Harness 21-C Atex	A	8719998053432	€ 111,68
Full body Harness 21-C Atex plus	A	8719998053449	€ 147,38

Ropes	S	Itemnum.	Price
Rope 50 Single rope with shock absorber (elastic)	A	8719998053456	€ 111,68
Rope 51 Double Rope with shock absorber (elastic)	A	8719998053463	€ 161,41
Rope 35 Semi Single Rope with shock absorber (braided rope)	A	8719998053470	€ 147,99
Rope 37 Semi double Rope with shock absorber (braided rope)	A	8719998053487	€ 97,64

Shock absorber	S	Itemnum.	Price
Shock absorber 2,5 m	A	8719998053494	€ 147,38
Shock absorber 6 m	A	8719998053517	€ 584,93
Shock absorber 10 m	C	8719998053524	€ 660,91
Shock absorber 15 m	C	8719998053531	€ 889,76
Shock absorber 20 m	C	8719998053548	€ 991,67

Item num.: 8719998053432



Item num.: 8719998053463



Item num.: 8719998053531



ASC Q-Clamp

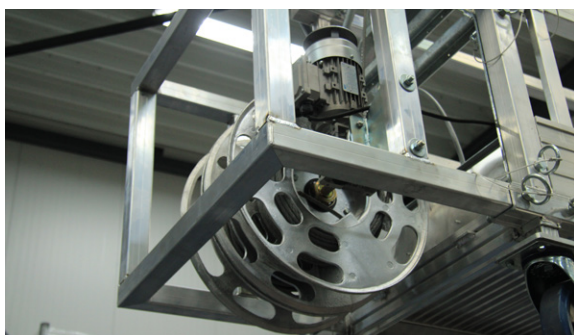
Description	S	Itemnumber	Price
Alu-2-way connector	B	ASCQ2	€ 19,03
ASCQ2 			
Alu-3-way connector	B	ASCQ3	€ 22,75
ASCQ3 			
Alu-3-way connector	B	ASCQ3A	€ 22,75
ASCQ3A 			
Alu-4-way connector	B	ASCQ4	€ 24,82
ASCQ4 			
Alu-5-way connector	B	ASCQ5	€ 32,28
ASCQ5 			
Alu-6-way connector	B	ASCQ6	€ 38,89
ASCQ6 			
Q-Clamp Bolt	B	ASCQB	€ 2,88
QC bolt 			

Description	S	Itemnumber	Price
Elastic with S-hook	B	990608946	€ 4,14



Samenstellingslijst ASC Hangbrug installatie (HBI) t/m 15 meter

HBI with end stirrup	Price on request															Weight	Itemnum.
	1	2	3	4	5	6	7	8	9	10	11	12	13	14	15		
Side frame 1 m	2															7,1	ASC-HB0001
Side frame 2 m		2		4	2		4	2		4	2		4	2		12,6	ASC-HB0002
Side frame 3 m			2		2	4	2	4	6	4	6	8	6	8	10	17,8	ASC-HB0003
Deck section 1 m	1															6,8	ASC-HB0021
Deck section 2 m		1		2	1		2	1		2	1		2	1		12,3	ASC-HB0022
Deck section 3 m			1		1	2	1	2	3	2	3	4	3	4	5	17,4	ASC-HB0023
Guard rail 1 m	2															1,9	ASC-HB0011
Guard rail 2 m		2		4	2		4	2		4	2		4	2		3,5	ASC-HB0012
Guard rail 3 m			2		2	4	2	4	6	4	6	8	6	8	10	5	ASC-HB0013
Connection stirrup	2	2	2	3	3	3	4	4	4	5	5	5	6	6	6	5,2	ASC-HB0031
Guardrail raisers	4	4	4	6	6	6	8	8	8	10	10	10	12	12	12	1,1	ASC-HB0032
End stirrup	2	2	2	2	2	2	2	2	2	2	2	2	2	2	2	10	ASC-HB0050
HB Wheel for Suspended Pla	4	4	4	4	4	4	4	4	6	6	6	6	6	6	6	3,5	ASC-HB0049
Wall rollers	2	2	2	2	2	2	2	2	2	2	2	2	2	2	2	3,8	ASC-HB0033
Safety pin with clip	28	28	28	42	42	42	56	56	56	70	80	86	90	98	108	0,5	ASC-HB0048
Titan 650 CE Hoist	2	2	2	2	2	2	2	2	2	2	2	2	2	2	2	40	ASC-HB0036
Central control box	1	1	1	1	1	1	1	1	1	1	1	1	1	1	1	10	ASC-HB0037



Description	V	Itemnum.	Price
HB side panel 0,5 meter	D	ASC-HB0005	€ 287,94
HB side panel 1 meter	D	ASC-HB0001	€ 400,48
HB side panel 2 meter	D	ASC-HB0002	€ 528,61
HB side panel 3 meter	D	ASC-HB0003	€ 790,25
HB Alu-Stage part 0,5 meter (floor)	D	ASC-HB0025	€ 215,96
HB Alu-Stage part 1 meter (floor)	D	ASC-HB0021US	€ 320,37
HB Alu-Stage part 2 meter (floor)	D	ASC-HB0022US	€ 507,22
HB Alu-Stage part 3 meter (floor)	D	ASC-HB0023US	€ 736,87
HB Guardrail part 0,5 meter	D	ASC-HB0015	€ 47,98
HB Guardrail part 1 meter	D	ASC-HB0011	€ 80,10
HB Guardrail part 2 meter	D	ASC-HB0012	€ 112,15
HB Guardrail part 3 meter	D	ASC-HB0013	€ 144,16
HB Guardrail increaser	D	ASC-HB0032	€ 80,10
HB U-bracket/carrier	D	ASC-HB0031	€ 373,75
HB Safety pin with clip	D	ASC-HB0048	€ 28,96
HB Wheel for hanging container	D	ASC-HB0049	€ 174,43
HB Passage bracket L/R	D	ASC-HB0042	€ 2.188,10
HB End guardingrail, ophangpunt	D	ASC-HB0050	€ 893,62
HB Gevel afhouder	D	ASC-HB0033	€ 395,50
HB Safety rope weight	D	ASC-HB0040	€ 307,80
HB end railing 1 meter	D	ASC-HB0051	€ 751,78
ASC HB roof beam DB650 complete set	D	ASC-HB0041	€ 5.494,06
ASC roof beam wheel	D	ASC-HB005	€ 119,00
HB Counterweight 20 kg	D	ASC-HB0035	€ 223,40
HB row gutter for roof beam	D	ASC-HB0045	€ 274,71
HB Exit facility	D	ASC-HB0043	€ 4.492,89
HB Double Handrail increaser	D	ASC-HB0044	€ 239,95
HB Set guardrail parts for 2 meter section	D	ASC-HB0010	€ 176,75
HB Set guardrail parts for 3 meter section	D	ASC-HB0046	€ 210,17
HB corner section 90 degrees	D	ASC-HB0047	€ 3.073,04
HB Power Cable 230 V 50 meter incl. strain relief	D	ASC-HB0038	€ 1.049,84
HB Steel Cable 8,4 mm (per meter)	D	PC37400	€ 19,83
HB Steel Cable 9,5 mm (per meter)	D	PC37401	€ 24,36
HB Rope end fitting (2.5 ton hook)	D	PC37143	€ 93,83
HB Rope end fitting (1.6 ton hook)	D	PC37143-T	€ 66,21
HB Titan-CE 650 kg	D	ASC-HB0036	€ 20.609,35
HB Control Box Titan CE 1808	D	ASC-HB0037	€ 4.742,76
ASC Roll-X steel cable winder	D	8719998052428	€ 21.429,89



From idea to realization

ASC Group can produce products made of aluminum and stainless steel for you - whether it concerns a few pieces or series work. If you are looking for a construction company that thinks along with you, you have come to the right place! View some examples of special bespoke constructions on this page and take contact us for more information.



Protection against climbing

Description	Itemnum.	Price	Kg
Anti-climb header frame 135	70870312	€ 893,61	14
Anti-climb header frame 75	70870313	€ 819,14	12
Anti-climb side frame 250	70870314	€ 1.427,30	19,5
Anti-climb side frame 305	70870315	€ 1.484,39	25
Anti-climb debris catcher for 250	70870316	€ 446,81	32,5
Anti-climb debris catcher for 305	70870317	€ 491,49	34
Anti-climb platform 250 with trapdoor + ladder	70870318	€ 1.188,17	19
Anti-climb platform 305 with trapdoor + ladder	70870319	€ 1.285,81	24



● **Protection against climbing**
 2x 70870312
 2x 70870314





● Your ASC dealer: